



**2026**  
AFTERMARKET  
**CATALOG**

# WET SOUNDS® LEADING THE INDUSTRY

## FROM DAY ONE, OUR VISION HAS BEEN CLEAR

At Wet Sounds, we set out with a bold mission: to create audio experiences that are CLEAR, LOUD, and LIVE, even in the most demanding environments. Today, that vision drives us forward as the undisputed leader in high-performance audio. But we're not stopping there; our passion is to go beyond expectations and redefine what's possible.

## INNOVATION IS OUR COMPASS

We don't follow trends; we create them. Every product we design pushes the boundaries of technology and durability, delivering uncompromising performance where others fall short. Our commitment remains unwavering: to engineer the highest-performing, element-proof audio solutions on the planet.

## WE ARE MORE THAN AUDIO; WET SOUNDS IS A LIFESTYLE

Wet Sounds isn't just about sound; it's about living life at full volume. Whether on the water, the trail, or the open road, we're here to amplify every adventure. The future sounds incredible, and we're building it, one breakthrough at a time.



# TABLE OF CONTENTS

---

HISTORY OF WET SOUNDS .....	04
<b>NEW!</b> SOURCE UNITS .....	06
<b>NEW!</b> REMOTE UNITS .....	09
SOURCE UNITS .....	13
REMOTE UNITS .....	17
SOURCE UNIT ACCESSORIES .....	21
BLUETOOTH® CONTROLLERS .....	22
SEND/RECEIVE KITS .....	24
COAXIAL SPEAKERS .....	25
SUBWOOFERS .....	32
SUBWOOFER ENCLOSURES .....	40
TOWER SPEAKERS .....	45
MARINE AMPLIFIERS .....	51
SOUNDBARS .....	55
POWERSPORTS .....	58
OUTDOOR AUDIO .....	64
GOLF CART AUDIO .....	65
LIFESTYLE .....	66
WET WIRE® .....	70
LED ACCESSORIES.....	73
TOWER CLAMPS .....	74

# HISTORY OF WET SOUNDS

Our Passion for  
CLEAR, LOUD, and LIVE  
Premium Marine Audio Begins



**2006**  
Launched **PRO 80**  
& **PRO 485**



**2007**  
CES Innovation Award  
for the **PRO 80**

Launched **PRO 60** in  
Boats & **WS-420**



**2011**  
Introduction of  
**REV Tower Speakers**



**2010**  
Industry-first RGB  
LED Speaker Rings



**2009**  
World's First Marine  
SPL Subwoofer **XS-XXX**



**2008**  
CES Innovation Award  
for the **WS-420**

First Coaxials &  
Subwoofers



**2013**  
Swivel Clamp Patent



**2014**  
AGGIE 100 Award

Fastest Growing  
Privately Owned  
U.S. Company



**2015**  
DSP Amplifiers Win an  
IBEX Innovation Award

World's First Powersports  
Soundbar

Fastest Growing  
Privately Owned  
U.S. Company





**2018**

**Introduced WS-MC-1 World's First Marine Source Unit with Optional RGB Controller**

Introduced 55-liter (58-quart) Premium **SHIVR® Cooler** with Built-in 6 Speaker System

**WS-MC-2** Launched

Nifty 50 Award

Fastest Growing Privately Owned U.S. Company



**2017**

Fastest Growing Privately Owned U.S. Company



**2016**

DSP Amplifiers Win an IBEX Innovation Award

REVO Speakers Launched

Fastest Growing Privately Owned U.S. Company



**2019**

Introduction of RECON Series Built for Motorsport Enthusiasts

Fastest Growing Privately Owned U.S. Company



**2020**

**WWX-DZ-BT** Dual-zone Bluetooth® Controller Launched



**2021**

**WS-MC-20** Launched

**Venue Series** Introduction (**VS-LS PRO**)

Twice VIP Award **VS-LS PRO PACKAGE**

Residential Tech Innovation Award **VS-LS PRO PACKAGE**

**A-Link Plus** Launched **World's First, Full-wireless Audio Link System that broadcasts an audio source up to 1,600 feet**



**2024**

**Jeep Wrangler Audio Kit** Launched



**2023**

**AR-5 Defender Roof** Launched

**AR-5 Defender Roof** Named 2024 Global Media Award at SEMA Show



**2022**

**REV 12 HD** Industries First and Only 12 inch Tower Speaker System with RGB Integration

**AR-5 Ranger Roof** for Powersports

**ZERO Series** Coaxial Speakers Focused on Outdoor Enthusiasts



**2025**

**WS-L** Portable Bluetooth Speaker

**WS-L** Portable Bluetooth Speaker Wins Boating Industry's **2025 Top Product Award**

**Ported 12 ENC** Heavy-duty Rotomolded Enclosure

**Mobile Electronics Association 2025 Industry Award Winner (Marine)**

**Savannah DiPaola** Wins Boating Industry's **2025 Women Making Waves**

**Mark Gerick** Wins Boating Industry's **2025 Bold Moves**

First **Metstrade** Exhibition Expanding Global Endeavors



**2026**

**Harley Motorcycle Audio Kits** Launched

**New Value-focused SCOUT Series** Launched

Introduction of Redesigned **RECON Series**

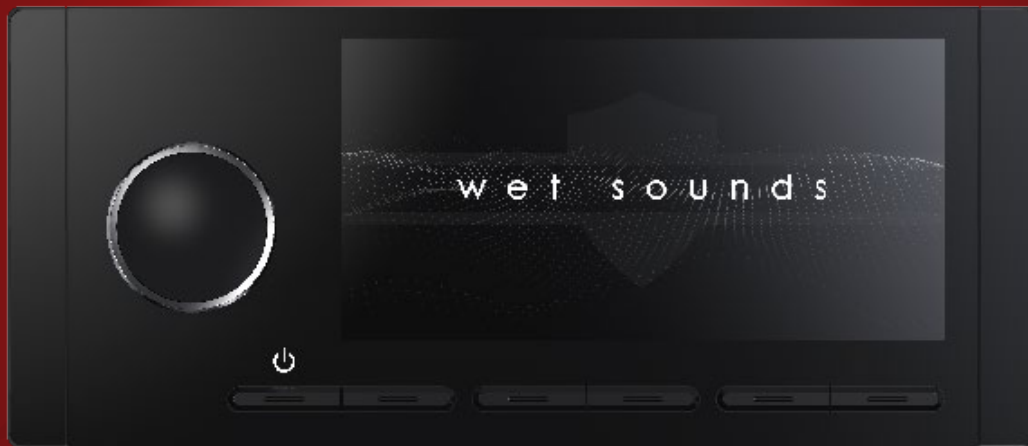
**New ICON Series** Launch

Complete **Redesign of Media Controllers and Remote Transom Units**



# NEW SOURCE UNITS

NEW FOR  
**2026**



## MEDIA CONTROLLER

# WS MC-SRC-4

4-CHANNEL AMPLIFICATION | 12-CHANNEL DSP

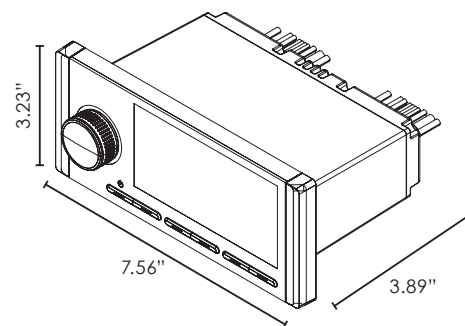
Blending sleek design with cutting-edge tech, the **WS MC-SRC-4** source unit elevates marine audio. Its intuitive interface and high-res color display offer effortless control of multiple audio sources. With built-in Bluetooth, and 4-zone audio, each area of the boat gets a personalized sound experience. OEMs will value the integrated amp and 12-channel DSP for powerful, customizable output across all entertainment zones.

## FEATURES

- 5" TFT IPS Touch Display with 800 NIT Brightness
- 4-Zone Audio Control
- HTML5 Graphic Interface
- 12-Channel DSP (Each Zone: L+R+Sub)
- SiriusXM-Ready® (SiriusXM Connect Tuner and Subscription Sold Separately)
- DAB Ready
- AM/FM/Weather Band
- Built-in BT
- Auxiliary Input
- Apple® AirPlay® 2 (Audio Only)
- Wired Remote Options
- Wireless Remote Options
- Comes with Flush & Surface Mount End Caps
- Built-in 4-Channel Amplifier  
4x25w @ 4Ω (4x50w @ 2Ω)
- Compatible with WS REM-CLR, WS REM-BW, WS REM-KNB and WS REM-WLS

## DIMENSIONS

<b>WIDTH</b>	7.56 in.
<b>HEIGHT</b>	3.23 in.
<b>MOUNTING DEPTH</b>	3.89 in.
<b>HOLE CUTOUT</b>	6.46 in. x 1.98 in.





NEW FOR  
2026



MEDIA CONTROLLER

**WS MC-SRC-1**

2-CHANNEL AMPLIFICATION | 3-CHANNEL DSP

The **WS MC-SRC-1** with Zone Power from Wet Sounds offers intuitive audio control with Bluetooth, Apple® AirPlay 2®, and Google Cast® for effortless music streaming on the water.

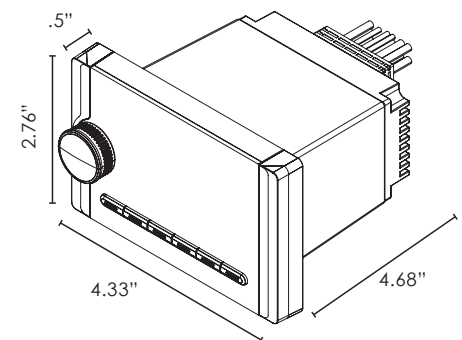
Designed for versatility, it works as a standalone source unit or a zone-programmable remote. With 2-channel amplification, 3-channel DSP, and a compact form factor, it delivers powerful, customizable sound while saving space.

## FEATURES

- 3" TFT IPS Display with 800 NIT Brightness
- Single-zone Media Center
- Standalone Source Unit or Remote
- Rotary Encoder
- Internal Power Amplifier 2x50W @ 2Ω Max Output (2x25W @ 4Ω)
- 3-Channel DSP (One Zone: L+R+Sub)
- Built-in BT
- Apple® AirPlay® 2 (Audio Only)
- Google Cast (Audio Only)
- SiriusXM-Ready® (SiriusXM Connect Tuner and Subscription Sold Separately)
- DAB Ready
- Waterproof Face (IP67)
- Zone Programmable when used as a Remote
- Comes with Flush & Surface Mount End Caps
- Compatible with WS REM-CLR, WS REM-BW, WS REM-KNB and WS REM-WLS

## DIMENSIONS

<b>WIDTH</b>	4.33 in.
<b>HEIGHT</b>	2.76 in.
<b>MOUNTING DEPTH</b>	4.68 in.
<b>HOLE CUTOUT</b>	3.25 in. x 1.99 in.





# NEW SOURCE UNITS

NEW FOR  
2026



**MEDIA CONTROLLER**

## WS MC-SRC-BB

AUDIO BLACK BOX | 12-CHANNEL DSP

The **WS MC-SRC-BB** is the central hub of the Wet Sounds network, designed for seamless OEM MFD integration and complete signal control from source to speakers. Each output channel features advanced DSP for speaker management, including EQ, crossovers, time alignment, and phase control, plus options like bass augmentation, dynamic compression, peak limiting, and tone generation. Customizable for various models and configurations, its centralized DSP ensures streamlined programming.

### FEATURES

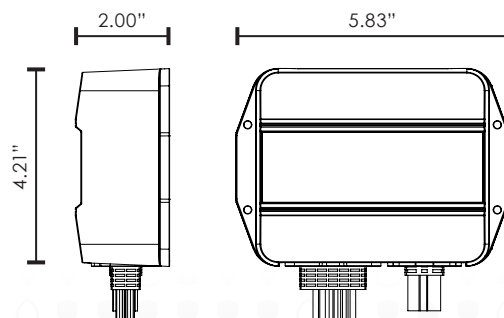
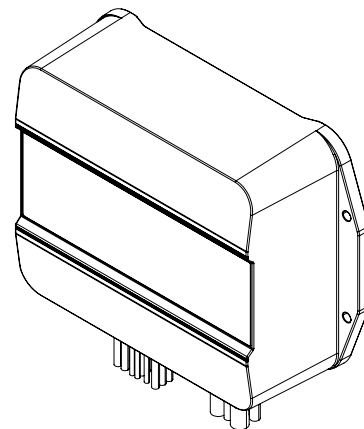
- 4-Zone Audio Control
- 12-Channel DSP (Each Zone: L+R+Sub)
- SiriusXM-Ready® (SiriusXM Connect Tuner and Subscription Sold Separately)
- DAB Ready
- AM/FM/Weather Band
- Built-in Bluetooth
- Auxiliary Input
- USB Input
- WiFi Audio Sharing
- Apple® AirPlay® 2 (Audio Only)
- Wired Remote Options
- Wireless Remote Options
- HTML 5 Ethernet Communication to compatible MFD's
- Built-in 4-Channel Amplifier  
4x25w @ 4Ω (4x50w @ 2Ω)
- Compatible with WS REM-CLR, WS REM-BW, WS REM-KNB and WS REM-WLS

### DIMENSIONS

<b>WIDTH</b>	5.83 in.
<b>HEIGHT</b>	2.00 in.
<b>LENGTH</b>	4.21 in.

### CANBUS

- ISO 11898-1:2003
- SAE J1939
- NMEA 2000



### CONNECTIONS

All connections on the WS MC-SRC-BB are either a sealed pigtail or a sealed chassis mounted connector.



NEW FOR  
2026



REMOTE UNIT

# WS REM-CLR

COLOR TOUCHSCREEN | PoE SUPPORT

The **WS REM-CLR** Remote from Wet Sounds features a bright 3-inch TFT IPS display with 800 NIT brightness for clear visibility in any lighting. Its IP67-rated waterproof face ensures durability in harsh marine conditions. Compact and sleek, the WS REM-CLR integrates easily into various setups, offering intuitive audio control.

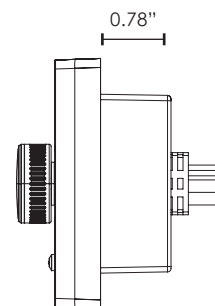
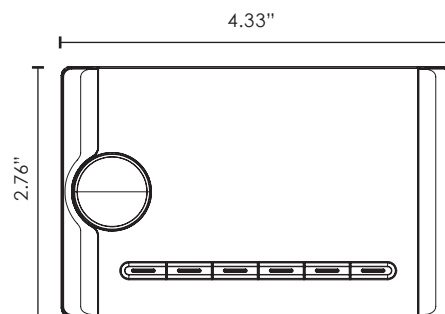
With RJ45 and PoE support, it simplifies installation and streamlines integration for OEM marine audio systems.

## FEATURES

- 3" TFT IPS Display with 800 NIT Brightness
- Rotary Encoder
- Waterproof Face (IP67)
- RJ45 Connection (Power Over Ethernet Support)
- Zone Programmable
- Comes with Flush & Surface Mount End Caps
- Compatible with WS MC-SRC-1, WS MC-SRC-4 and the WS MC-SRC-BB

## DIMENSIONS

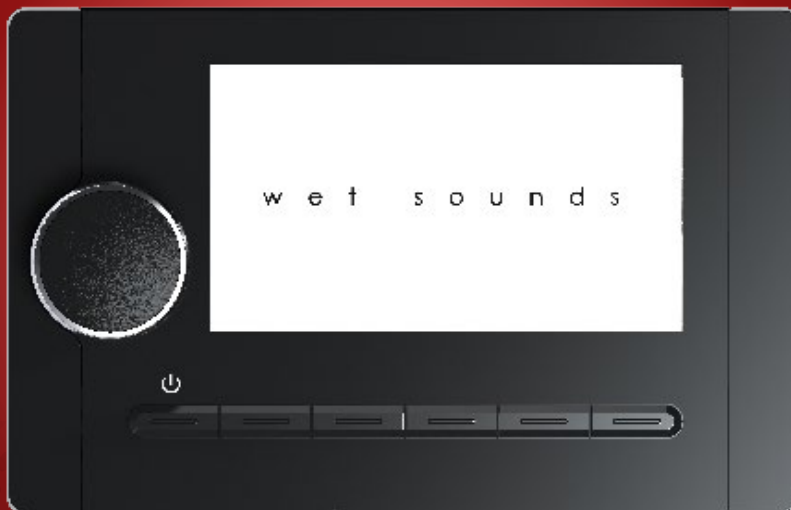
<b>WIDTH</b>	4.33 in.
<b>HEIGHT</b>	2.76 in.
<b>MOUNTING DEPTH</b>	0.78 in.
<b>HOLE CUTOUT</b>	3.25 in. x 1.99 in.





# NEW REMOTE UNITS

NEW FOR  
2026



## REMOTE UNIT

# WS REM-BW

ZONE PROGRAMMABLE | NMEA 2000 SUPPORT

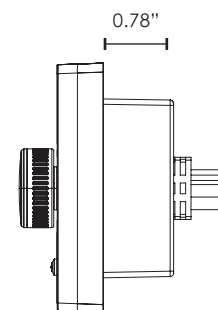
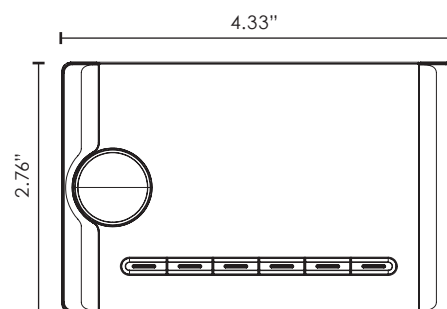
The **WS REM-BW** remote offers intuitive control of onboard audio with a 3-inch LCD display and responsive rotary encoder. Built for harsh conditions, its IP67-rated face ensures reliable performance on the water. Compatible with NMEA 2000®, it integrates easily with marine electronics and supports zone programming for precise audio control across your vessel.

## FEATURES

- 3" LCD B&W Display
- Rotary Encoder
- Waterproof Face (IP67)
- NMEA 2000 Support
- Zone Programmable
- Comes with Flush & Surface Mount End Caps
- Compatible with WS MC-SRC-1, WS MC-SRC-4 and the WS MC-SRC-BB

## DIMENSIONS

<b>WIDTH</b>	4.33 in.
<b>HEIGHT</b>	2.76 in.
<b>MOUNTING DEPTH</b>	0.78 in.
<b>HOLE CUTOUT</b>	3.25 in. x 1.99 in.





NEW FOR  
2026



REMOTE UNIT

## WS REM-WLS

BLUETOOTH REMOTE | UP TO 20M SUPPORT

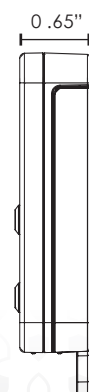
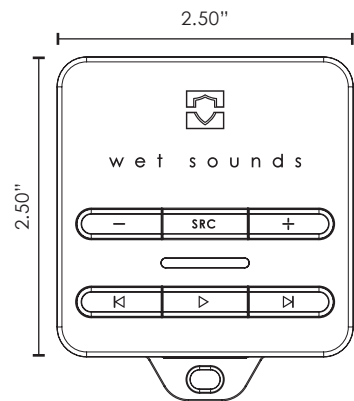
The **WS REM-WLS** uses a Bluetooth Low Energy (BLE) connectivity, allowing users to manage their sound system from up to 20 meters away, providing unmatched convenience and mobility on the water. Built for durability, this remote features a rugged waterproof design and can be easily detached from its surface-mounted bracket, offering secure placement and flexibility whenever needed.

### FEATURES

- Up to 20M Support
- Coin Cell Battery (CR-2032)
- Surface Mount Bracket Included
- Waterproof Face (IP67)
- Lanyard Attachment
- Compatible with WS MC-SRC-1, WS MC-SRC-4 and the WS MC-SRC-BB

### DIMENSIONS

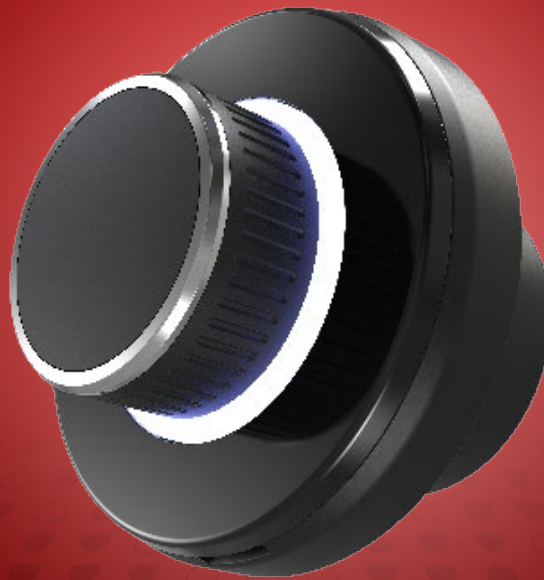
<b>WIDTH</b>	2.50 in.
<b>HEIGHT</b>	2.50 in.
<b>DEPTH</b>	0.58 in.





# NEW REMOTE UNITS

NEW FOR  
**2026**



## REMOTE UNIT

# WS REM-KNB

ROTARY ENCODER | NMEA 2000 SUPPORT

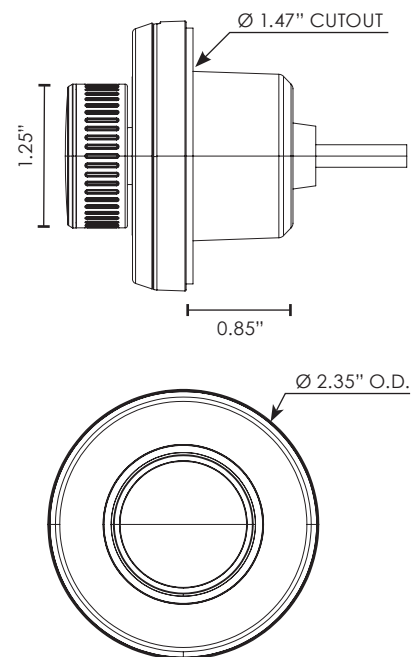
The **WS REM-KNB** is a knob-style controller that delivers precise volume control with simplicity and ease. Designed as a single rotary encoder, it allows for intuitive audio adjustments, elevating the listening experience with just a turn. Built for the marine environment, the WS REM-KNB's rugged, waterproof IP67-rated construction ensures reliable performance in even the harshest conditions.

## FEATURES

- Rotary Encoder
- Waterproof Face (IP67)
- NMEA 2000 Support
- Zone/Function Programmable
- Compatible with WS MC-SRC-1, WS MC-SRC-4 and the WS MC-SRC-BB

## DIMENSIONS

<b>DIAMETER (O.D.)</b>	2.35 in.
<b>MOUNTING DEPTH</b>	0.85 in.
<b>HOLE CUTOUT</b>	1.47 in.





**MEDIA CONTROLLER**  
**WS-ZX-MC-20**  
 3-ZONE NMEA MEDIA RECEIVER

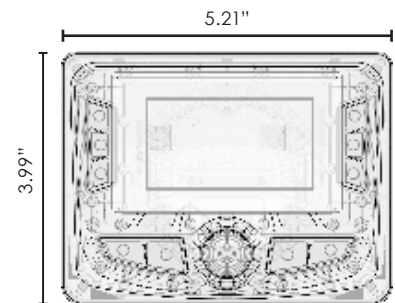
The **WS-ZX-MC-20** is a 3-Zone SiriusXM-Ready® media receiver that provides a great solution for those who need to install a receiver in small, tight spaces, all while maintaining the ability to provide Wet Sounds unmatched sound quality. Enjoy AM/FM/Weather Band, Bluetooth (BT) Audio, SiriusXM-Ready® (requires SiriusXM Connect Tuner and Subscription Package, sold separately) and NMEA connectivity with optional interface accessory. Now, by connecting your back-up camera to the WS-ZX-MC-20 via the video input, you can always be aware of your surroundings. This 2026 updated version now shows the ZONE-X assignment function and the buttons on the front show ZONE-X instead of Zone 2.

**FEATURES**

- 3" Ultra Bright Full Color TFT Display
- Day/Night Illumination & Dimming
- AM/FM/Weather Band Tuner with RBDS
- Internal Power Amplifier 4x50W @ 2Ω Max Output (4x25W @ 4Ω)
- BT Streaming, Auxiliary, & USB Inputs
- Simple & Secure BT Pairing for Android® & iOS (A2DP/AVRCP 1.4)
- True 3-Zone Independent Control – Enable or disable each zone, assign custom names, adjust left/right balance, and apply isolated crossover settings.
- ZONE X Front-Panel Selector – Control a single zone or all three zones at once for quick, on-the-fly adjustments.
- Advanced Per-Zone Crossovers – Zones 1 & 2 support full-range crossover filters, while Zone 3 features a dedicated LPF for direct subwoofer power without external processors.
- SiriusXM-Ready® (SiriusXM Connect Tuner and Subscription Sold Separately)
- Reverse Camera Video Input with Reverse Trigger
- NMEA 2000® Connectivity (WS-G2-NEMA-20 Required)
- Compatible with WS-G2-NEMA-20, OE-CAN-TR, WS-G2-CTR, and the WS-G2-TR
- Optional Flush Mount Bezel Sold Separately

**DIMENSIONS**

<b>WIDTH</b>	5.21 in.
<b>HEIGHT</b>	3.99 in.
<b>MOUNTING DEPTH</b>	2.87 in.
<b>HOLE CUTOUT (DIA.)</b>	3.00 in.

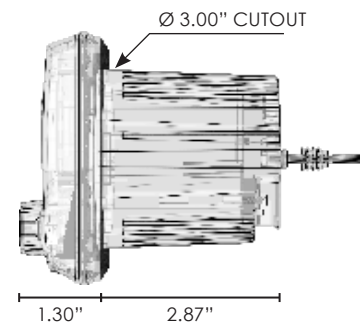


**FLUSH MOUNT BEZEL**

Sold Separately



**WS-MC-20-FMK**





## MEDIA CONTROLLER

# WS-MC-2

## MARINE MEDIA RECEIVER

Following the success of our MC-1, we developed a unit that will work off the road or on the water! The **MC-2 Digital Media Receiver**, with 2.7" full-color display, is designed to be a solution for installing a high-quality receiver in smaller and tighter spaces, while still maintaining Wet Sounds' unmatched sound quality and durability.

### FEATURES

- 2.7" Full-Color TFT Display
- Internal Power Amplifier 4x50W @ 2Ω Max Output (4x25W @ 4Ω)
- 7-Band Equalization
- Adjustable Input Gains for All Inputs
- SiriusXM-Ready® (SiriusXM Connect Tuner and Subscription Sold Separately)
- Built-in Crossovers: HPF for Front & Rear, LPF for Zone 2
- Front & Rear Preamp Outputs with Fading Capability
- Simple & Secure Bluetooth Pairing for Android® & iOS (A2DP/AVRCP 1.4)
- Playlist & Folder Browsing via BT or USB Connection with Compatible Devices
- Front-panel Mounted Independent Secondary Zone Control Full Range or Subwoofer
- AM/FM/WB Digital Tuner
- Auxiliary Input (3.5mm)
- Day/Night Illumination & Dimming
- Bluetooth Audio Streaming, Auxiliary, USB, Pandora® Inputs & SiriusXM Ready® (SXV300V1)
- USB Input with iPhone® Connectivity, Charging and MP3 Capability
- Compatible with MC-TR and MC-TR-MINI
- Optional Flush Mount Bezel Sold Separately

### DIMENSIONS

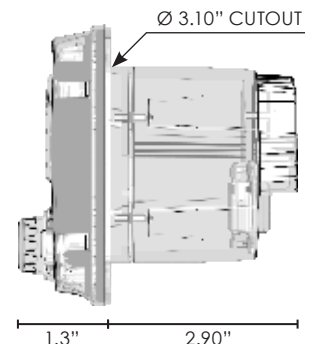
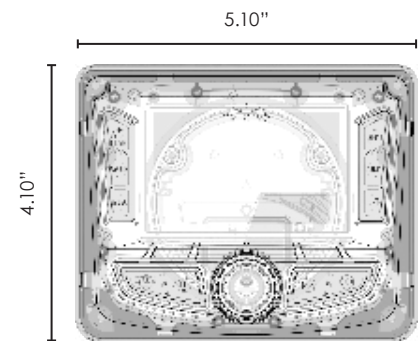
<b>WIDTH</b>	5.10 in.
<b>HEIGHT</b>	4.10 in.
<b>MOUNTING DEPTH</b>	2.90 in.
<b>HOLE CUTOUT (DIA.)</b>	3.10 in.

### FLUSH MOUNT BEZEL

Sold Separately



WS-MC2/5-FMK





**MEDIA CONTROLLER**  
**WS-MC-5 V2**

AM/FM DIGITAL TUNER MEDIA CENTER

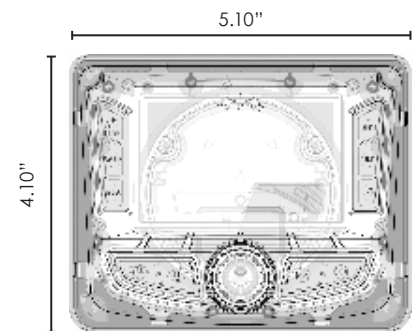
The **WS-MC-5 V2** is a premium marine-grade media center designed for superior audio performance and seamless integration into boats, powersports vehicles, and outdoor environments. The improvements to the V2 include adjustments to the low voltage warning and low voltage shutoff to better reflect real-world conditions. Built for durability and ease of use, it delivers advanced connectivity and multi-zone control in a sleek, modern design.

**FEATURES**

- 2.7" LCD Display
- AM/FM Digital Tuner
- Day/Night Illumination & Dimming
- BT Streaming
- Auxiliary Input
- Internal Power Amplifier 4x50W @ 2Ω Max Output (4x25W @ 4Ω)
- Front & Rear Preamp Outputs with Fade Capability
- Front Panel Mounted Independent Secondary Zone
- Control - Full Range or Subwoofer
- Compatible with optional MC-TR-MINI Transom Remote
- Optional Flush Mount Bezel Sold Separately

**DIMENSIONS**

<b>WIDTH</b>	5.10 in.
<b>HEIGHT</b>	4.10 in.
<b>MOUNTING DEPTH</b>	2.90 in.
<b>HOLE CUTOUT (DIA.)</b>	3.00 in.

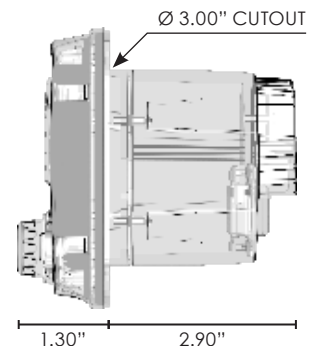


**FLUSH MOUNT BEZEL**

Sold Separately



**WS-MC2/5-FMK**





## MEDIA CONTROLLER

# WS-MC-RND

## ROUND MARINE MEDIA CENTER

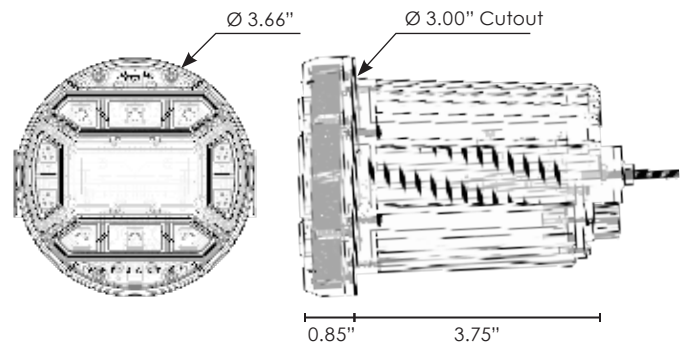
The new **WS-MC-RND** from Wet Sounds is a sleek, round media center designed to fit a standard gauge opening. Its 2.75-inch LCD screen displays track info, radio stations, and menus, while large, illuminated buttons make control effortless. Built-in Bluetooth, Auxiliary input, and a USB charging port let you stream music with ease. With a 4x50 watt amplifier and dual pre-amp outputs, it's ready to power any audio system.

### FEATURES

- IPX5 Rating
- Auxiliary Input
- AM/FM/WB (Wide Band)
- Bluetooth Audio Streaming
- Supports 2 BT Devices Simultaneously
- Selectable Tuner Regions
- USB Media Playback (MP3/WMA)
- Adjustable Subwoofer Output
- 2-Zone RCA Control
- Internal Power Amplifier 4x50W @ 2Ω Max Output (4x25W @ 4Ω)
- USB Charge Port (5v-1A)

### DIMENSIONS

- OUTSIDE DIAMETER** 3.66 in.
- MOUNTING DEPTH** 3.75 in.
- HOLE CUTOUT (DIA.)** 3.00 in.



### AUXILIARY REMOTE COMPATIBILITY CHART

	MC-TR-MINI	MC-TR	OE-CAN-TR	WS-G2-TR	WS-ZX-CTR	WS REM-CLR	WS REM-BW	WS REM-KNB	WS REM-WLS
WS-MC-5 V2	X								
WS-MC-2	X	X							
WS-ZX-MC-20			X	X	X				
WS-BB-10		X	X	X	X				
WS MC-SRC-1						X	X	X	X
WS MC-SRC-4						X	X	X	X
WS MC-SRC-BB						X	X	X	X



NEW FOR  
**2026**



REMOTE UNIT  
**WS-ZX-CTR**

3" TFT COLOR TOUCHSCREEN | WIRED TRANSOM REMOTE

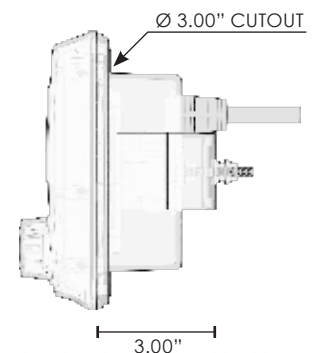
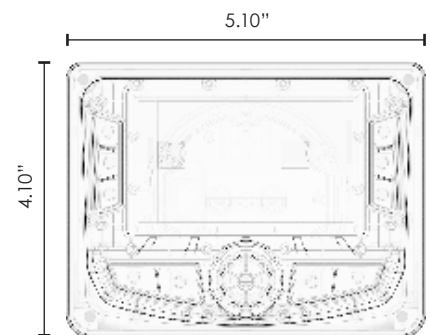
The compact **WS-ZX-CTR** Transom Remote is compatible with the WS-ZX-MC-20 and allows remote control of the audio system. Featuring a 3" full-color display, it provides complete control of the WS-BB-10 in a sleek, space-saving design

**FEATURES**

- Full Color 3" TFT Color Display with Backlit Buttons
- 13 Pin DIN Cable Connection to WS-BB-10
- IPX6 Rating
- Optional Flush Mounting System
- 23' Extension Cable Included
- Duplicate of WS-ZX-MC-20 Controls
- Rotary Encoder Volume Knob
- Compatible with WS ZX-MC-20 and the WS-BB-10

**DIMENSIONS**

<b>WIDTH</b>	5.21 in.
<b>HEIGHT</b>	4.00 in.
<b>MOUNTING DEPTH</b>	1.00 in.
<b>HOLE CUTOUT</b>	3.00 in.





# REMOTE UNITS



## TRANSOM REMOTE

# WS-G2-TR

## WIRED TRANSOM REMOTE

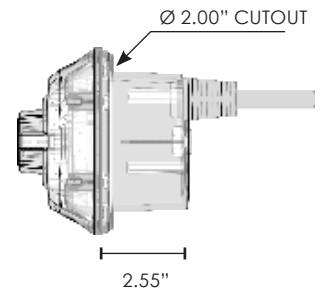
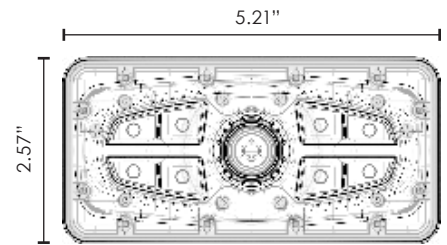
The **WS-G2-TR** is engineered for installations where space is limited. It delivers seamless control over essential audio functions, including volume, play/pause, source and track selection, and seek operations. The unit also includes a 13-pin DIN cable for direct connection to the WS-ZX-MC-20 and WS MC-SRC-BB, ensuring easy integration and reliable performance.

### FEATURES

- Master Volume Control
- Source Select
- Song Selection
- System Power
- Seek Functions
- 13 Pin DIN Cable Connection to WS-BB-10 and WS-ZX-MC-20
- IPX6 Rating
- Extension Cable Included
- Optional WS-G2-TR-YADP Sold Separately
- Compatible with WS ZX-MC-20 and the WS-BB-10

### DIMENSIONS

<b>WIDTH</b>	5.21 in.
<b>HEIGHT</b>	2.57 in.
<b>MOUNTING DEPTH</b>	2.55 in.
<b>HOLE CUTOUT (DIA.)</b>	2.00 in.



**WS-G2-TR-YADP**  
Sold Separately



TRANSOM REMOTE

**MC-TR**

AUXILIARY AUDIO CONTROLLER

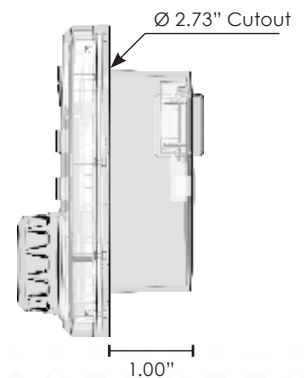
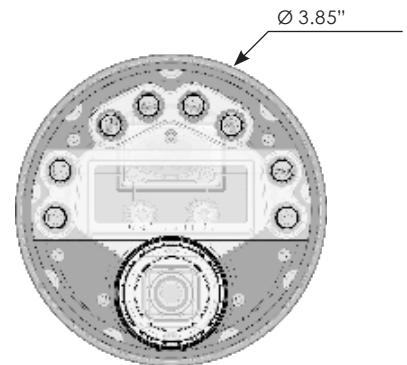
Take control of your onboard audio system from the stern with the Wet Sounds **MC-TR** transom remote. Engineered for marine environments, this rugged, weather-resistant remote provides convenient access to volume, track selection, and source control without leaving the water. Its compact, low-profile design ensures a clean, professional look on transoms or swim platforms, making it ideal for OEM installations. Extend your installation options by 50 feet with the MC-TR-EXT Extension Cable. It extends installation up to 50 feet for maximum placement flexibility. The MC-TR Y-Cable connects up to two MC-TR units for multi-location control.

**FEATURES**

- Single Line LCD Display
- Source, Playback, & Volume Controls
- Volume - Main Level & Each Zone Individually
- Connects to the MC-BB-10 via Included 23' Cable
- Allows Control of Radio, Bluetooth, Pandora®, & Auxiliary Input
- Up to 50' Distance from the MC-BB (with Additional MC-TR-EXT Cable)
- MC-TR Y Cable Connects up to Two MC-TR Units to a WS-MC-2 or WS-BB-10 Sold Separately

**DIMENSIONS**

<b>OUTSIDE DIAMETER</b>	3.85 in.
<b>MOUNTING DEPTH</b>	1.00 in.
<b>HOLE CUTOUT (DIA.)</b>	2.73 in.



**MC-TR Y**  
Sold Separately



# REMOTE UNITS



## TRANSOM REMOTE

# WS-MC-TR-MINI

## AUXILIARY AUDIO CONTROLLER

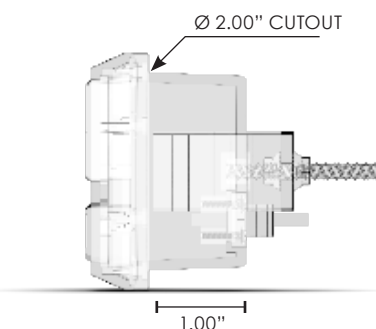
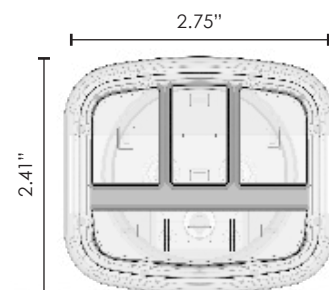
Take full control of your marine audio experience with the **WS-MC-TR-Mini**. Designed for outdoor, marine, and powersports applications, this weatherproof-rated remote is built to withstand the harshest environments. Compact yet powerful, it provides seamless auxiliary control of your Wet Sounds media center from the transom or any convenient location on your vessel. With its rugged construction and intuitive design, the WS-MC-TR-Mini ensures you stay connected to your music.

### FEATURES

- Allows Control of Source, Track, Play/Pause & Volume
- IPX7 Certified Marine Grade Construction
- Compact Size; Easy Mounting
- Connects to WS-MC-5 V2 & WS-MC-2 Via the Included 25' 3.5 mm Auxiliary Cable

### DIMENSIONS

<b>WIDTH</b>	2.75 in.
<b>HEIGHT</b>	2.41 in.
<b>MOUNTING DEPTH</b>	1.00 in.
<b>HOLE CUTOUT (DIA.)</b>	2.00 in.



#### WS-MC-5 V2



Remote wire

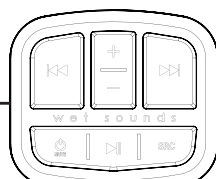
#### WS-MC-2



Remote wire

MC-TR-MINI-ADP  
Required for WS-MC-2

Remote wire  
Illumination wire



WS-MC-TR-MINI



#### MC-TR-MINI-ADP

- 3.5 mm-DIN Adapter (Sold Separately)



## WS-TB-MIC

TALKBACK MIC

## WS-420BT

MULTI-ZONE 4-BAND PARAMETRIC EQ

The **WS-TB-MIC** talk-back microphone is a cutting-edge solution born from our commitment to innovation. Designed with a sleek, user-friendly enclosure, this product seamlessly integrates with our existing microphone system and features RCA Line In/Line Out connections. With the WS-TB-MIC, drivers gain an effective means of communicating with riders and nearby vehicles. By pressing the button on the microphone, the system mutes any ongoing music playback on the interrupted channels, allowing them to function as a Public Address (PA) system.

### FEATURES

- Small Compact Design
- Adjustable Mic Volume Controller
- Conformal Coated Electronic Components
- Audio Mutes & Resumes on Connected Channel Automatically for Easy Communication

### DIMENSIONS

<b>WIDTH</b>	5.79 in.
<b>HEIGHT</b>	1.46 in.
<b>DEPTH</b>	3.43 in.

The **WS-420BT** Equalizer delivers premium control and flexibility for marine audio systems, combining award-winning performance with true three-zone management and independent EQ for tower and cabin speakers. With built-in Bluetooth, master and zone-specific volume controls, a talk-back microphone, and optional A-Link wireless audio sharing, it offers unmatched versatility and clarity on the water. Engineered with studio-grade components and a true marine-ready design, the WS-420BT gives you complete command of your sound anywhere you ride.

### FEATURES

- 3-Zone Controller with 2 Separate Equalizers (Tower & Cabin Zone)
- Independent Bass Volume Control
- Master Input & Auxiliary Input
- Talk Back Microphone for PA Communications over the Tower Speakers

### DIMENSIONS

<b>WIDTH</b>	6.90 in.
<b>HEIGHT</b>	1.05 in.
<b>DEPTH</b>	4.61 in.



# BLUETOOTH CONTROLLERS

WW-BT UR



WW-BT VC-V2



WW-BT RS



WWX-DZ-BT



## BLUETOOTH CONTROLLERS

UNIVERSAL



Wet Sounds offers a premium line of Bluetooth® (BT) controllers designed for seamless audio integration and superior performance in marine, powersports, and OEM applications. The **WW-BT UR** provides a rugged, universal remote solution for easy wireless control, while the **WW-BT VC-V2** delivers precise volume control with advanced Bluetooth connectivity. For compact installations, the **WW-BT RS** offers streamlined functionality without sacrificing audio quality. The **WWX-DZ-BT** combines Bluetooth technology with multi-zone control, giving users ultimate flexibility for managing sound across different areas. Built for durability and reliability, these controllers ensure crystal-clear audio streaming and intuitive operation in any environment. These Bluetooth controllers offer universal compatibility across source units, amplifiers, laptops, smartphones, marine and powersports platforms, making them ideal for OEM installation and aftermarket upgrades in a wide range of environments.

### WW-BT UR

This universal Bluetooth receiver connects any smartphone or tablet to a low-level amplifier input or factory-installed Auxiliary port via a 3.5 mm jack. Designed to mount anywhere with control handled by the paired device, it features a remote-turn-on blue wire for easy amplifier integration. Works with any mobile device, most aftermarket radios, boat audio systems, powersports stereos, and onboard amplifiers.

### FEATURES

- Receives Signal from a Bluetooth Device
- Send Audio Signal to Any Unit with Auxiliary Input
- Power-saving Feature Turns off the Amplifier if Music is Paused for More than 10-20 Seconds.
- Blue Light Indicates BT Pairing Status, Red Light Indicates Amplifier Status.
- 3.5 mm Female Connection for Main Output
- IPX6 Water Resistant



WW-BT UR



## WW-BT VC-V2

The **WW-BT VC-V2** marine Bluetooth knob with volume control is a single-knob Bluetooth controller, fully compatible with iPhone®, Android®, and other Bluetooth devices. It outputs to a 3.5 mm Auxiliary or aftermarket head units, switching 12 volt (ignition or constant) and remote turn-on for amplifiers or EQ units. Controls include volume, track skip, and play/pause, with mounting options for flush or under-dash installation in cars, vessels, UTVs, and off-road crafts.

### FEATURES

- iPhone®, Android® & Bluetooth Device-Ready
- One Knob Controls – Track, Pause & Volume
- Flush In-dash or Under-dash Mounting
- 3.5 mm Output – Easy Add-on to Any Radio with Auxiliary input



**WW-BT VC-V2**



**WW-BT RS**

## WW-BT RS

A single-knob Bluetooth controller. Fully compatible with iPhone®, Android®, and other Bluetooth devices, it outputs to 3.5 mm Auxiliary or aftermarket head units, switching 12 volt (ignition or constant) and remote-turn-on for amplifiers or EQ units. Control includes volume, track skip, and play/pause, mounting flush or under-dash in cars, vessels, UTVs, and off-road crafts.

### FEATURES

- Controls Volume, Track, Pause & Auxiliary Input
- Mounts Into a Standard Carling Switch Opening
- 3.5mm Connections for Main Output & Auxiliary Input
- Volume Controls The BT & Auxiliary
- Remote Output Turns an Amplifier On/Off

## WWX-DZ-BT

Dual-zone Bluetooth input/output controller supports two independent or linked zones and allows connection to two amplifiers or speaker zones via 3.5 mm jacks. It integrates remote turn-on and Auxiliary input, supporting head units, portable amps, or EQ systems. Designed for flush-mounting, built for marine environments, UTVs, side-by-sides, and dual-zone sound systems. Link or unlink zones via button combos for flexible configuration.

### FEATURES

- Controls Volume, Track, Play/Pause and Auxiliary Input
- Controls Volume of 2 Zones
- Zones Can Be Linked Together or Controlled Individually
- Remote Output Turns an Amplifier On/Off
- Mounts In 1-1/8" Opening
- Back-Lit Button Illumination w/Separate
- Illumination for Source Identification



**WWX-DZ-BT**



# SEND/RECEIVE KITS



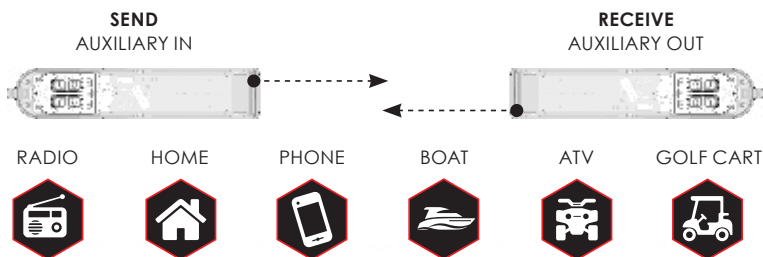
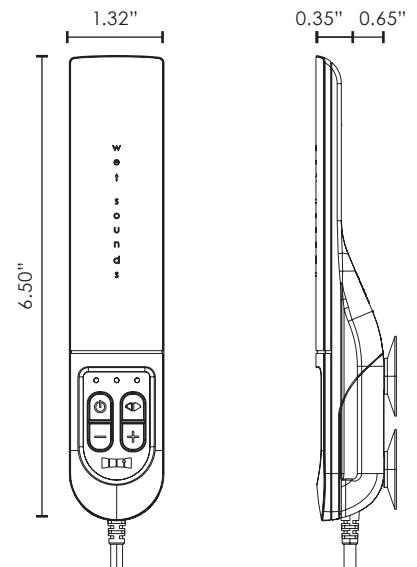
## AL-SR-V2

### 2.4 GHZ SEND AND RECEIVE AUDIO LINK

Take your audio experience beyond limits with the Wet Sounds **A-Link Plus (AL-SR-V2)**, the ultimate wireless transmitter/receiver system designed for boats, UTVs, and outdoor adventures. Powered by SKAA® technology, it delivers rock-solid reliability, CD-quality sound, and ultra-low latency, perfect for environments where Bluetooth falls short. Whether you're boating, off-roading, hosting outdoor events, or running a mobile DJ setup, A-Link Plus ensures high-quality, dependable wireless audio anywhere you need it.

#### FEATURES

- No BT or Wi-Fi Connection Needed
- Operational Range – Approximately 1,600 Feet
- 3.5mm Connection Cables & Y-Adapter Included
- Each A-Link Unit Can Be Programmed to Either SEND or RECEIVE
- Multiple A-Links Can Be Set Up to Receive from 1-A Link Sender
- Sender Standby Battery Time: 5.5 Hours
- Receiver Standby Battery Time: 9.5 Hours
- Dual Micro USB Charging Cable Included





REV SERIES®  
**REV 5X7 SM-W**  
 SURFACE MOUNT

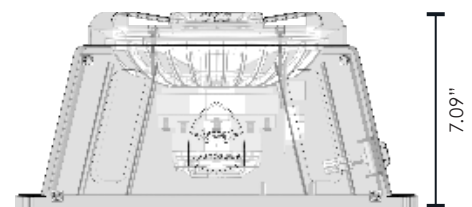
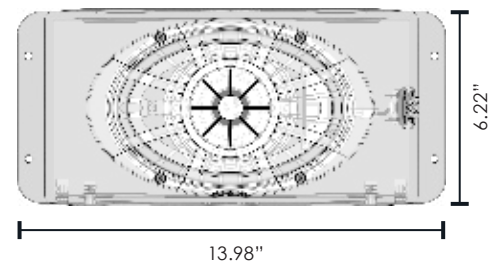
The Wet Sounds **REV 5x7** Shallow-Mount Surface Speaker delivers powerful, full-range sound using an HLCD design in a compact, marine-grade enclosure. Its shallow-mount profile makes it ideal for clean surface installations without cutting new holes, providing wide and even coverage under gunnels or in tight spaces. Built for offshore, freshwater, and heavy-duty environments, the REV 5x7 delivers the volume and clarity needed to cut through wind, engine noise, and open water.

**FEATURES**

- Horn Loaded Compression Driver (HLCD) Projects Audio Through Wind, Engine Noise and the Open Water
- Rugged, Marine-grade Rotomolded Enclosure
- Wide, Even Sound Coverage, Perfect for Under-gunnel Mounting on Center Consoles and Similar Setups.

**DIMENSIONS**

- WIDTH** 13.98 in.
- HEIGHT** 7.09 in.
- DEPTH** 6.22 in.



**PERFORMANCE**

	REV 57
<b>POWER RMS/PEAK</b>	75W/150W
<b>FREQUENCY RESPONSE</b>	100Hz - 20kHz
<b>SENSITIVITY @ 1W/m</b>	90dB
<b>IMPEDANCE</b>	6Ω



# COAXIAL SPEAKERS

## ZIE R10

ZERO 6 XZ-W

ZERO 8 XZ-B



### ZERO SERIES®

## ZERO COMPROMISES

PURPOSE-BUILT FOR EXTREME OUTDOOR DEPENDABILITY

The **ZERO 6 & ZERO 8** coaxial speakers are a first of its kind innovation for Wet Sounds, taking the legendary REV tower speaker performance and reimagining it for optimal use in more confined spaces. Composed of a high-strength Nylas composite frame, rigid PMGS composite cone, and horn-loaded tweeter to ensure superior strength and durability versus conventional speaker materials. ZERO Series can also be used with or without a twist-lock grille, making them ideal for both custom and OEM replacement applications.

### FEATURES

- IP65 Rated
- Shallow Mount Design
- Horn-loaded Tweeter
- Incorporated Motor Heatsink
- Twist-lock Grille to Hide Mounting Hardware
- The ZERO Series 6 & 8 Coaxial Speakers Will Come Pre-installed with XY Grilles
- Oversized Neo Motors for High Power Handling
- Available in a 2-Tone Gloss/Matte Finish in Black or White

### ZERO 6 DIMENSIONS

DIAMETER	6.89 in.
MOUNTING DEPTH	2.72 in.
HOLE CUTOUT	5.63 in.

### ZERO 8 DIMENSIONS

DIAMETER	8.00 in.
MOUNTING DEPTH	3.32 in.
HOLE CUTOUT	7.36 in.

### ZERO 6 CS COMPONENT

MOTORCYCLE | POWERSPORTS | MARINE

The **ZERO 6 CS Component Speakers** offer clean, accurate sound with a rugged Nylas™ frame and PMGS cone. Their component design boosts clarity and detail.

ZERO 6 CS-B



### ZERO 6 TWEETER DIMENSIONS

DIAMETER	2.73 in.
MOUNTING DEPTH	1.14 in.
HOLE CUTOUT	2.35 in.



### PERFORMANCE

	ZERO 6	ZERO 8	ZERO 6 CS
POWER RMS/PEAK	100W/200W	150W/300W	100W/200W
FREQUENCY RESPONSE	40Hz - 22kHz	35Hz - 22kHz	65 Hz - 20 kHz
SENSITIVITY @ 1W/m	90dB	92dB	90dB
IMPEDANCE	4Ω	4Ω	4Ω



# COAXIAL SPEAKERS

ZERO 6 XY-W

ZERO 8 XY-W



## ZERO XY SERIES GRILLES

MOTORCYCLE | POWERSPORTS | MARINE

Achieve a refined, low-profile aesthetic with the sleek **XY Yacht Grilles**. Featuring an effortless twist-lock system, these grilles install flush for a seamless, high-end look that complements any interior style. Crafted exclusively in white, each grille is made from premium aluminum and finished with a durable powder coat to withstand the harsh marine environment and resist corrosion, ensuring lasting beauty and performance on the water.

## ZERO SERIES 5X7

MOTORCYCLE | POWERSPORTS | MARINE

Utilizing the same rugged construction as its big brother, the **ZERO Series 5x7** coaxial speakers were designed to fit in tight applications where a 6x9 is just too big. ZERO 57 XZ-B is a grille-less design, perfect for OEM type applications. Only available in Black.



ZERO 57

### FEATURES

- High-output HLCD
- Kevlar® Reinforced EFG Cone Woofers with Polyurethane Surround
- Pro-Axial Driver - Coaxially Mounted Titanium Diaphragm
- Rigid PMGS Composite Cone and Innovative Horn-Loaded Tweeter

### DIMENSIONS

<b>SIZE</b>	5x7 in.
<b>MOUNTING DEPTH</b>	2.51 in.
<b>HOLE CUTOUT</b>	7.29 x 5.03 in.

### PERFORMANCE

	ZERO 57
<b>POWER RMS/PEAK</b>	100W/200W
<b>FREQUENCY RESPONSE</b>	65Hz - 20kHz
<b>SENSITIVITY @ 1W/m</b>	90dB
<b>IMPEDANCE</b>	4Ω



ZERO 69 XZ-B

## ZERO SERIES 6X9

MOTORCYCLE | POWERSPORTS | MARINE

**ZERO Series 6x9** coaxial speakers were designed using the same unique features from the ZERO 6 & ZERO 8 coaxial speakers. Available in Gloss Black.

### PERFORMANCE

	ZERO 6X9
<b>POWER RMS/PEAK</b>	150W/300W
<b>FREQUENCY RESPONSE</b>	55Hz - 20kHz
<b>SENSITIVITY @ 1W/m</b>	91.5dB
<b>IMPEDANCE</b>	4Ω

### FEATURES

- High-output HLCD
- Incorporated Motor Heatsink
- Kevlar® Reinforced EFG Cone Woofers with Polyurethane Surround
- Pro-Axial Driver - Coaxially Mounted Titanium Diaphragm
- Rigid PMGS Composite Cone and Innovative Horn-Loaded Tweeter

### DIMENSIONS

<b>SIZE</b>	6x9 in.
<b>MOUNTING DEPTH</b>	3.22 in.
<b>HOLE CUTOUT</b>	8.62 x 5.75 in.



## REVO SERIES

# REVO 6, 8, & CX10

MID-BASS CLARITY AT HIGH VOLUME | RGB LED LIGHTING INCLUDED

The **REVO Series** coaxial speakers are designed to provide superior sound quality with amazing mid-bass and clarity at high volume. Wet Sounds REVO Series speakers feature the only Santoprene spider in the industry - impervious to water saturation and dry rot. REVO coaxial speakers also include RGB lighting allowing for custom color options. Available in 8 different grille styles and finishes.

## FEATURES

- IP65 Rated
- RGB LED Tweeter Glow Kit included
- Wet Sounds Exclusive Nylas, High Stiffness Composite Frame
- Industry's Only Santoprene Spider - Impervious to Water Saturation & Dry Rot
- Optional RGB Controller WWX-RGB-RS, RF-RGB-MC-V2
- Optional LED Rings

## DIMENSIONS

	REVO 6	REVO 8	REVO CX10
<b>DIAMETER</b>	6.80 in.	8.90 in.	11.02 in.
<b>MOUNTING DEPTH</b>	3.30 in.	4.00 in.	4.72 in.
<b>HOLE CUTOUT</b>	5.00 in.	7.10 in.	9.45 in.



## PERFORMANCE

	REVO 6	REVO 8	REVO CX10
<b>POWER RMS/PEAK</b>	100W/200W	150W/300W	350W/700W
<b>FREQUENCY RESPONSE</b>	40Hz - 22kHz	35Hz - 22kHz	35Hz - 22kHz
<b>SENSITIVITY @ 1W/m</b>	90dB	92dB	90dB
<b>IMPEDANCE</b>	4Ω	4Ω	2Ω

## 8 OPTIONAL GRILLE STYLES

Grilles Sold Separately



XW-B



XS-B-SS



XS-W-SS



XW-W



XS-G-SS



XS-S



SW-B



SW-W



REDEFINED



RCN 6



RCN 6 RGBW

RECON® SERIES

# RECON 6

REDEFINED FROM THE GROUND UP

The **RECON 6** is a high-efficiency, full-range coaxial speaker built for marine, powersports, and outdoor use. Designed for mid-power systems, RECON 6 delivers premium sound in space-limited installs. RECON 6 is perfect for boats, golf carts, and ATVs. With the evolution of RGBW LED lighting, RECON now offers richer colors and cleaner whites, enhancing both style and visibility. This upgrade adds a cool, customizable glow that elevates any ride, day or night. Grilles are included in both a two-tone Dark Titanium and two-tone White option, and are offered with or without RGBW LED illumination.

## FEATURES

- IP65 Rated
- Polypropylene Cone
- Santoprene Surround
- Conex Spider
- 1" PEI Tweeter
- RGBW LED Version Available
- Grilles are Included, Both a Two-tone Dark Titanium and Two-tone White.

## DIMENSIONS

<b>DIAMETER</b>	6.89 in.
<b>MOUNTING DEPTH</b>	2.42 in.
<b>HOLE CUTOUT</b>	5.61 in.

## PERFORMANCE

	RECON 6
<b>POWER RMS/PEAK</b>	75W/150W
<b>FREQUENCY RESPONSE</b>	50Hz - 20kHz
<b>SENSITIVITY</b>	90dB
<b>IMPEDANCE</b>	4Ω

## BOTH GRILLE COLORS INCLUDED



RCN 6



RCN 6 RGBW



# COAXIAL SPEAKERS



REDEFINED



RCN 8 RGBW



RCN 8

## RECON® SERIES

# RECON 8

PREMIUM OPTION FOR COMMON APPLICATIONS

The **RECON 8** is Wet Sounds' most full-featured and value-packed coaxial speaker, engineered for high-performance audio in low-power environments. RECON 8 is designed to operate efficiently, and is ideal for marine, powersports, and outdoor applications. Whether you're upgrading your boat, golf cart, or off-road vehicle, the RECON 8 delivers premium sound and style without the need for high-power amplification. Grilles are included in both a two-tone Dark Titanium and two-tone White option, and are offered with or without RGBW LED illumination.

### FEATURES

- IP65 Rated
- Polypropylene Cone
- Santoprene Surround
- Conex Spider
- RGBW LED Version Available
- Grilles are Included, Both a Two-tone Dark Titanium and Two-tone White.

### DIMENSIONS

<b>DIAMETER</b>	8.88 in.
<b>MOUNTING DEPTH</b>	3.46 in.
<b>HOLE CUTOUT</b>	7.11 in.

### PERFORMANCE

	RCN 8
<b>POWER RMS/PEAK</b>	90W/180W
<b>FREQUENCY RESPONSE</b>	40Hz - 20kHz
<b>SENSITIVITY @ 1W/m</b>	87.81 dB
<b>IMPEDANCE</b>	4Ω

### BOTH GRILLE COLORS INCLUDED



RCN 8



RCN 8 RGBW



DISCOVER

NEW FOR  
2026



SCT 6-W

SCT 6-TI

SCOUT SERIES  
**SCOUT 6**

VALUE FOCUSED | PREMIUM BUILT

Introducing the new **SCOUT 6** Coaxial Speaker, a highly efficient and cost-effective solution designed to deliver high-quality sound without external amplification. The value focused SCOUT 6 grilles breaks the mold by offering RGB LED speaker illumination or non-RGB. The textured grilles are included and are offered in Dark Titanium or White.

## FEATURES

- IP65 Rated
- Polypropylene Cone
- Santoprene Surround
- Conex Spider
- 1" PEI Tweeter
- Offered in Dark Titanium and White

## DIMENSIONS

- DIAMETER** 6.89 in.
- MOUNTING DEPTH** 2.76 in.
- HOLE CUTOUT** 5.19 in.

## PERFORMANCE

	SCOUT 6
POWER RMS/PEAK	30W/60W
FREQUENCY RESPONSE	50Hz - 20kHz
SENSITIVITY	87dB
IMPEDANCE	4Ω

SCT 6-TI RGB

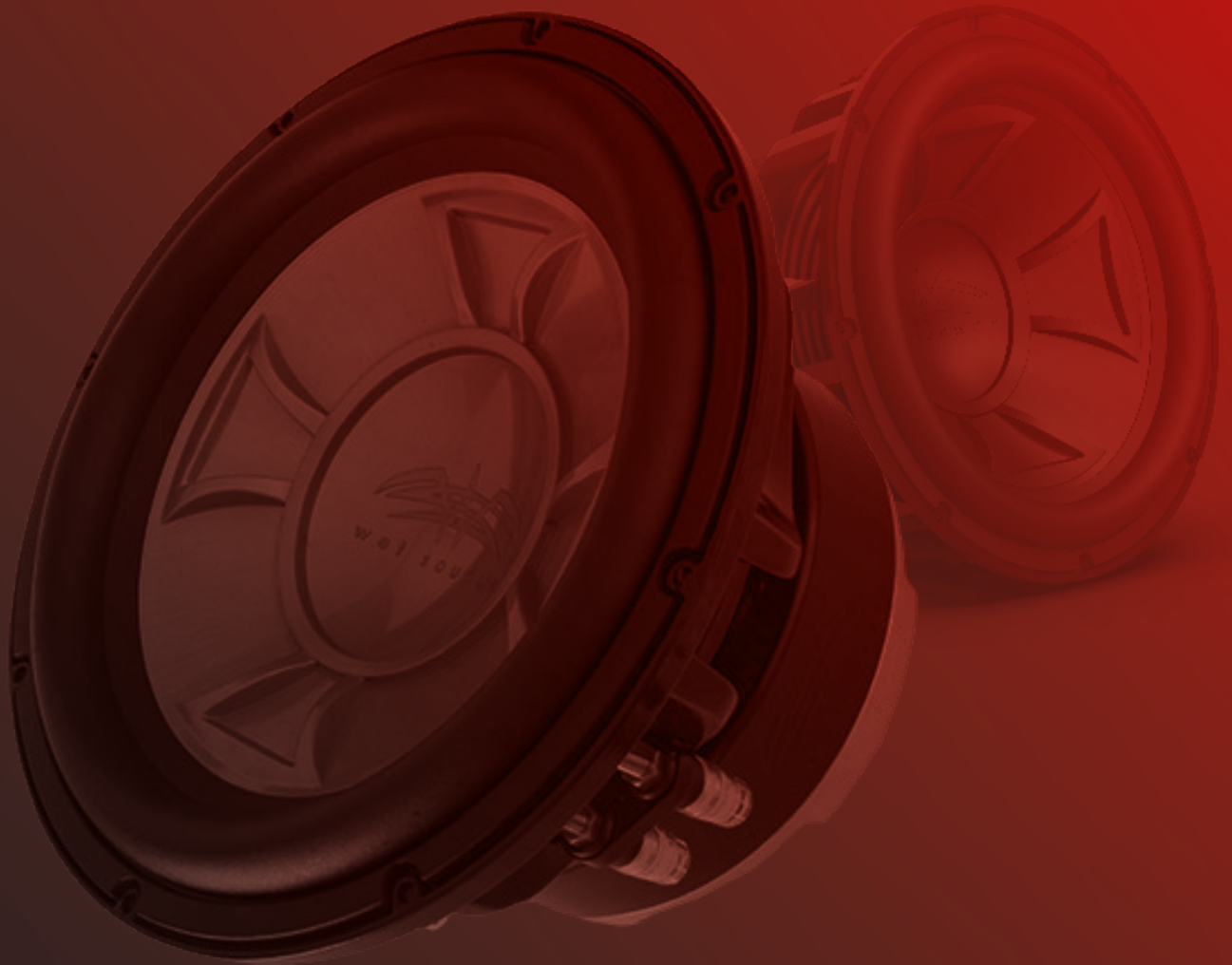
TEXTURED SPOKE

RGB LED LIGHTING



# MARINE SUBWOOFERS

By Wet Sounds



FROM THE INVENTORS OF

**WORLD'S FIRST  
MARINE SPL  
SUBWOOFER**



ZERO 12 S4 XZ-B



ZERO SERIES®

**ZERO 10 | ZERO 12**  
ZERO COMPROMISES | SHALLOW MOUNT

The **ZERO Series** of premium subwoofers, ZERO 10 and ZERO 12 are engineered to deliver incredible bass performance in small, sealed enclosures. The parameters have been precisely engineered to deliver the signature sound enthusiasts crave—now with a shallower mounting depth than traditional REVO subwoofers. ZERO subwoofers can also be used with or without a twist-lock grille, making them ideal for both custom and OEM replacement applications.

**FEATURES**

- Shallow Mount Design
- Composite Injection Molded Frame
- Twist-Lock Grilles Hide Mounting Hardware
- Install with or without Grille
- Optimized for the Demanding Environments
- Black & White Grille Versions Available
- White ZERO Series XY Yacht Grills Available
- Offered in 2 ohm and 4 ohm

**DIMENSIONS**

	ZERO 10	ZERO 12
<b>DIAMETER</b>	11.16 in.	13.43 in.
<b>MOUNTING DEPTH</b>	3.57 in.	3.72 in.
<b>HOLE CUTOUT</b>	9.24 in.	11.14 in.

**ZERO MOUNTING DEPTH COMPARISON**



ZERO 10



REVO 10



ZERO 12



REVO 12

**PERFORMANCE**

	ZERO 10	ZERO 12
<b>POWER RMS/PEAK</b>	300W/600W	400W/800W
<b>FREQUENCY RESPONSE</b>	30Hz - 2kHz	25Hz - 2kHz
<b>SENSITIVITY @ 1W/m</b>	85dB	86dB
<b>IMPEDANCE</b>	2Ω   4Ω	2Ω   4Ω





# SUBWOOFERS



REVO 10 FA



REVO 8 FA



REVO 12 FA



## REVO SERIES

# REVO FA SERIES

FOR FREE AIR APPLICATIONS

The **REVO FA Series** is engineered for aftermarket marine audio upgrades that require powerful bass without sacrificing storage space. Designed for Free Air (Infinite Baffle) installations where enclosures are not practical, these subwoofers deliver deep, accurate low-frequency performance reaching down to 20 Hz depending on the model while producing up to 400W RMS and 800W Peak output for impressive open-air results. REVO FA subs suit a wide range of marine setups, from wake boats to pontoons and offshore rigs. REVO FA subwoofers are sold without grilles, and eight different grille designs are available separately to match your boat's aesthetic.

## FEATURES

- Powder-coated Cast Aluminum Frame
- Gold-plated Terminals
- Nylas Composite Frame
- Injection Molded Composite Cone
- Santoprene Rubber Spider
- Santoprene Rubber Surround
- Nine Optional Grille Styles Sold Separately (pg. 35)

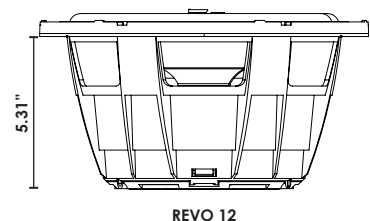
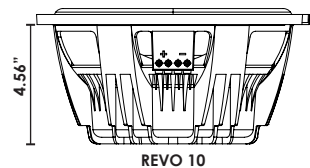
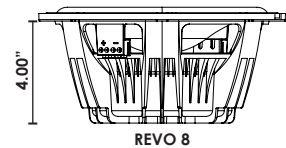
## DIMENSIONS

	REVO 8 FA	REVO 10 FA	REVO 12 FA
<b>DIAMETER</b>	8.5 in.	10.59 in.	12.75 in.
<b>MOUNTING DEPTH</b>	4.00 in.	4.56 in.	5.31 in.
<b>HOLE CUTOUT</b>	7.10 in.	9.37 in.	11.18 in.

## PERFORMANCE

	REVO 8 FA	REVO 10 FA V3	REVO 12 FA
<b>POWER RMS/PEAK</b>	150W/300W	400W/800W	400W/800W
<b>FREQUENCY RESPONSE</b>	20Hz - 500Hz	20Hz - 200Hz	20Hz - 200Hz
<b>SENSITIVITY @ 1W/m</b>	88dB	88dB	88dB
<b>IMPEDANCE</b>	4Ω	2Ω   4Ω	2Ω   4Ω

## REVO MOUNTING DEPTH COMPARISON





REVO 12 HP



REVO 10 HP



REVO SERIES

REVO 10 HP | REVO 12 HP  
FOR PORTED ENCLOSURE APPLICATIONS

For a complete audio experience, you cannot forget the bass! We have created what we believe to be the best marine-grade subwoofer on the market. The **REVO Series** subwoofers utilize our exclusive santoprene spider to eliminate any saturation or dry rot, making them the perfect choice for your marine application.

FEATURES

- Stainless Steel Terminals
- Nylas Composite Frame
- Injection Molded Composite Cone
- Santoprene Rubber Spider
- Santoprene Rubber Surround
- Nine Optional Grille Styles Sold Separately

DIMENSIONS

	REVO 10 HP	REVO 12 HP
DIAMETER	10.59 in.	12.75 in.
MOUNTING DEPTH	4.56 in.	5.31 in.
HOLE CUTOUT	9.37 in.	11.18 in.

PERFORMANCE

	REVO 10 HP	REVO 12 HP
POWER RMS/PEAK	400W/800W	500W/1000W
FREQUENCY RESPONSE	20Hz - 200Hz	20Hz - 200Hz
SENSITIVITY @ 1W/m	85dB	85dB
IMPEDANCE	4Ω	4Ω

9 OPTIONAL GRILLE STYLES

Grilles Sold Separately

NEW  
For  
2026



XS-BG



SW-B  
Black SW



SW-W  
White SW



XW-W  
White XW



XS-G-SS  
Gunmetal Stainless  
Steel XS



XS-B-SS  
Black Stainless  
Steel XS



XW-B  
Black XW



XS-W-SS  
White Stainless  
Steel XS



XS-S  
Silver XS



# SUBWOOFERS



REVO 12-XXX

REVO 15-XXX

## REVO SERIES

# REVO XXX V4

## SOUND PRESSURE LEVEL (SPL) SUBWOOFERS

The **REVO XXX** is the only SPL (Sound Pressure Level) marine-grade subwoofer in the world. Featuring a powder-coated, cast aluminum frame, with our blend of polypropylene/carbon fiber/glass fiber cone, coupled with the massive magnetic system, high-roll Santoprene rubber surround, and a 4" dual voice coil. The XXX also features gold-plated binding posts, an integrated multi-part cooling system with a "T" yoke heat sink and pole-piece venting; ensuring high power and low voice coil temperatures for maximum reliability.

### FEATURES

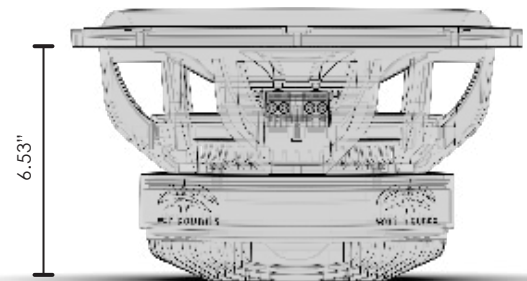
- Heavy Duty Magnetic System
- Dual Voice Coil
- Gold-plated Screw Down Bindings
- Integrated Multi-part Cooling System with T-Yoke Heatsink

### DIMENSIONS

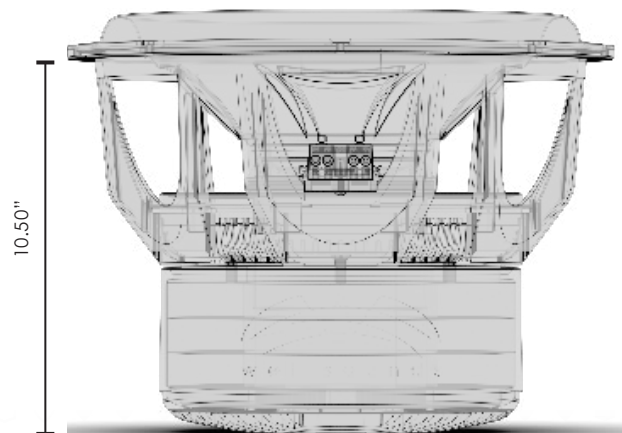
	REVO 12-XXX	REVO 15-XXX
<b>DIAMETER</b>	12.70 in.	14.65 in.
<b>MOUNTING DEPTH</b>	6.53 in.	10.50 in.
<b>HOLE</b>	11.20 in.	13.90 in.

### PERFORMANCE

	REVO 12-XXX	REVO 15-XXX
<b>POWER RMS/PEAK</b>	1200W/2400W	2000W/4000W
<b>FREQUENCY RESPONSE</b>	40Hz - 500Hz	35Hz - 500Hz
<b>SENSITIVITY @ 1W/m</b>	88dB	88dB
<b>IMPEDANCE</b>	Dual 2Ω	Dual 2Ω



REVO 12-XXX



REVO 15-XXX



REDEFINED



RCN 10 FA S4

RECON® SERIES

# RECON 10 FA

RGBW & NON-RGBW | FOR INFINITE BAFFLE APPLICATIONS

The **RECON SERIES** has been completely redefined, and the **RECON 10FA** Subwoofer sets a new benchmark for performance and design. Engineered for infinite baffle/free-air applications, it delivers deep, powerful bass with an extended frequency range. Featuring a sleek new aesthetic and optimized internal architecture, the RECON 10FA outperforms previous generations in every way. Choose from two optional grille styles in two-tone white or two-tone titanium, each available in RGBW or non-RGBW configurations for a customizable look.

## FEATURES

- IP65 Rated
- Polypropylene Cone
- Santoprene Surround
- Conex Spider
- Two Optional Grille Styles Sold Separately
- Offered in 2 ohm and 4 ohm

## DIMENSIONS

<b>DIAMETER</b>	10.50 in.
<b>MOUNTING DEPTH</b>	3.79 in.
<b>HOLE CUTOUT</b>	8.54 in.

## 2 OPTIONAL GRILLE STYLES

Grilles Sold Separately

RCN 10 Grille-W  
RCN 10 Grille-W RGBW



RCN 10 Grille-TI  
RCN 10 Grille-TI RGBW



## PERFORMANCE

RCN 10 FA

<b>POWER RMS/PEAK</b>	150W/300W
<b>FREQUENCY RESPONSE</b>	20Hz - 250Hz
<b>SENSITIVITY @ 1W/m</b>	88dB
<b>IMPEDANCE</b>	2Ω   4Ω

Subwoofer Grille Detail





# SUBWOOFERS



UNIQUELY  
DESIGNED

ICON 10FA S4  
Pictured with  
ICON 10 GRILLE-TI



ICON 10FA S4  
Pictured with  
ICON 10 GRILLE-W RGBW

## ICON SERIES

# ICON 10 FA

RGBW & NON-RGBW LED ILLUMINATED GRILLES

Introducing the **ICON 10 FA**, the newest subwoofer from Wet Sounds and the first to carry the prestigious ICON name. Built to deliver uncompromising power, precision, and depth, the ICON 10FA sets the standard for premium marine audio performance. With cutting edge engineering, striking design, and legendary Wet Sounds durability, this subwoofer ensures every moment on the water is backed by bass you can feel. The ICON 10FA is not just sound; it is an experience designed for those who demand the very best. Choose from two optional grille styles in two-tone white or two-tone titanium, each available in RGBW or non-RGBW. All grilles are sold separately.

### FEATURES

- IP65 Rated
- Polypropylene Cone
- Santoprene Surround
- Conex Spider with Woven Tinsel Leads
- RGBW Lighting Available
- Offered in 2 ohm and 4 ohm

### DIMENSIONS

<b>DIAMETER</b>	10.43 in.
<b>MOUNTING DEPTH</b>	5.13 in.
<b>HOLE CUTOUT</b>	8.79 in.

### 2 OPTIONAL GRILLE STYLES

Grilles Sold Separately

ICON 10 GRILLE-W  
ICON 10 GRILLE-W RGBW



ICON 10 GRILLE-TI  
ICON 10 GRILLE-TI RGBW



### PERFORMANCE

#### ICON 10 FA

<b>POWER RMS/PEAK</b>	400W/800W
<b>FREQUENCY RESPONSE</b>	20Hz - 250Hz
<b>SENSITIVITY @ 1W/m</b>	89dB
<b>IMPEDANCE</b>	2Ω   4Ω

Subwoofer Grille Detail





UNIQUELY  
DESIGNED

NEW FOR  
2026

**ICON 12FA S4**  
Pictured with  
ICON 12 GRILLE-W RGBW



ICON SERIES

# ICON 12 FA

RGBW / NON-RGBW LED ILLUMINATED GRILLES

The new ICON Subwoofer Series delivers deep, powerful bass that enhances the listening experience, making every note feel immersive and rich. The **ICON 12 FA** subwoofer is designed with flexibility in mind and can be installed with or without a grille for a clean, seamless appearance.

For added customization, there are two optional grille styles offered in two-tone white or two-tone titanium, with each style available in RGBW or non-RGBW versions. All grilles are sold separately.

## FEATURES

- IP65 Rated
- High Powered, High Excursion, Low Distortion
- 3" Voice Coil
- Cast Aluminum Frame
- Polypropylene Cone
- Santoprene Surround
- Conex Spider with Woven Tinsel Leads
- RGBW Lighting Available
- Offered in 2 ohm and 4 ohm

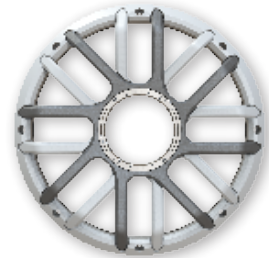
## DIMENSIONS

<b>DIAMETER</b>	13.68 in.
<b>MOUNTING DEPTH</b>	7.02 in.
<b>HOLE CUTOUT</b>	11.99 in.

## 2 OPTIONAL GRILLE STYLES

Grilles Sold Separately

ICON 12 GRILLE-W  
ICON 12 GRILLE-W RGBW



ICON 12 GRILLE-TI  
ICON 12 GRILLE-TI RGBW



## PERFORMANCE

	ICON 12 FA
<b>POWER RMS/PEAK</b>	700W/1400W
<b>FREQUENCY RESPONSE</b>	20Hz - 250Hz
<b>SENSITIVITY @ 1W/m</b>	88dB
<b>IMPEDANCE</b>	2Ω   4Ω





# SUBWOOFER ENCLOSURES

## PASSIVE ENCLOSURES

# REVO 12 PSE

12" PASSIVE RADIATOR



The Wet Sounds **REVO 12 PSE** delivers massive bass in a rugged, rotomolded enclosure built to withstand the harshest marine environments. Designed for versatility, it features quick-release mounts for easy installation and removal, making it perfect for any setup. Customize your look with eight optional grille styles and add visual impact with optional RGB grille sub kits. Built for performance and style, the REVO 12 PSE is the ultimate solution for powerful, reliable marine bass.

## FEATURES

- 2 Pin Weatherproof Bulkhead Connector on Rear of Enclosure
- Constructed with Marine-grade Materials
- Heavy-duty Rotomolded Enclosure
- Quick Release Mounts & Hardware
- Pre-wired RGB Connections (RGB kit sold separately)
- Includes REVO 12 HP-S4 Subwoofer
- Optional RGB Grille Sub Kits Sold Separately
- Not Compatible with LED Ring Style RGB Lighting

## DIMENSIONS

WIDTH	15.50 in.
DEPTH	15.50 in.
HEIGHT	15.50 in.

## PERFORMANCE

### REVO 12 PSE

POWER RMS/PEAK	500W/1000W
FREQUENCY RESPONSE	20Hz - 400kHz
SENSITIVITY @ 1W/m	85dB
IMPEDANCE	4Ω

## 8 OPTIONAL GRILLE STYLES

Grilles Sold Separately



XSB GRILLE



XSG GRILLE



SWB GRILLE



SWW GRILLE



XWB GRILLE



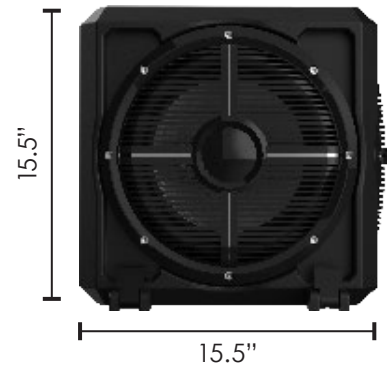
XWW GRILLE



XSW GRILLE



XSS GRILLE





NEW FOR  
2026



PASSIVE ENCLOSURE  
**PORTED 12 ENC**  
ROTOMOLDED SUBWOOFER ENCLOSURE

Wet Sounds' all new **PORTED 12 ENC** is built to bring serious bass to your application! It is designed to fit Wet Sounds 12-inch subwoofers, including the REVO HP Series, XXX Series, and ZERO Series® models. Built with marine-grade materials, this enclosure is tough enough for boats, offroad rigs, and more. A 2 pin weatherproof connector ensures a secure and reliable connection, even in harsh conditions. The ported design is engineered for deep, powerful bass, giving your system that deep low-end punch!

## FEATURES

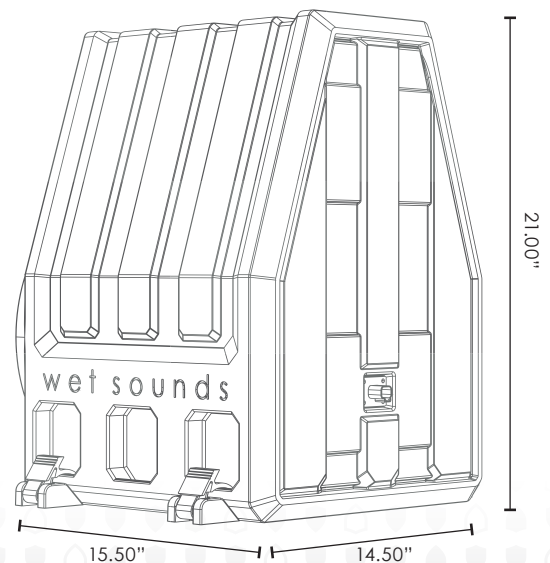
- For Use with 12" REVO HP, XXX, & ZERO Series 12" Subwoofers Sold Separately
- 2 Pin Weatherproof Bulkhead Connector on Rear of Enclosure
- Constructed with Marine-grade Materials
- Heavy-duty Rotomolded Enclosure
- Quick Release Mounts & Hardware
- Low Turbulence Port

## DIMENSIONS

<b>WIDTH</b>	14.50 in.
<b>HEIGHT</b>	21.00 in.
<b>DEPTH</b>	15.50 in.
<b>WEIGHT</b>	17.60 lbs.



REVO 12-XXX Subwoofers Sold Separately





# SUBWOOFER ENCLOSURES

NEW FOR  
2026



PASSIVE ENCLOSURE

## WS-SUB 650 ES

MICROSUB | SPACE EFFICIENT

Compact yet powerful, the **WS-SUB 650 ES** MicroSub enclosure delivers deep, resonant bass that elevates onboard audio. Its ported, rotomolded enclosure ensures premium sound quality, while the extruded aluminum brackets allow for flexible, space-saving installation. Perfect for cabin nooks, the WS-SUB 650 ES offers boat builders a sleek, high-performance solution that preserves Wet Sounds' signature audio without compromising style or function.

### FEATURES

- Versatile Mounting Design
- Quick Connect Wiring Harness
- Slim Rotomolded Ported Enclosure
- Tailored for Compact Spaces
- 4 ohm Single Coil

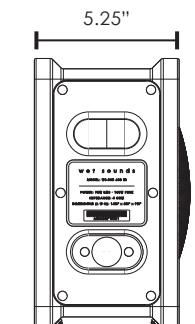
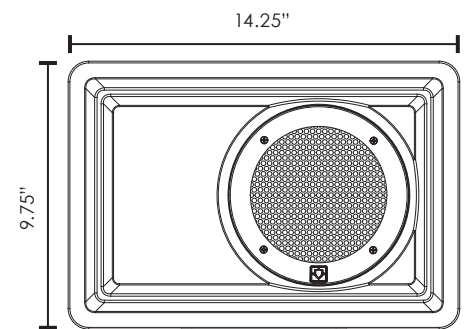
### DIMENSIONS

<b>WIDTH</b>	14.25 in.
<b>DEPTH</b>	5.25 in.
<b>HEIGHT</b>	9.75 in.
<b>WEIGHT</b>	6.6 lbs.

### PERFORMANCE

**WS-SUB 650 ES**

<b>POWER RMS/PEAK</b>	75W/150W
<b>FREQUENCY RESPONSE</b>	45Hz - 250kHz
<b>SENSITIVITY @ 1W/m</b>	84.62dB
<b>IMPEDANCE</b>	4Ω





PASSIVE ENCLOSURES

## ZERO SUB KITS

LIGHTWEIGHT & RUGGED ROTOMOLDED ENCLOSURES

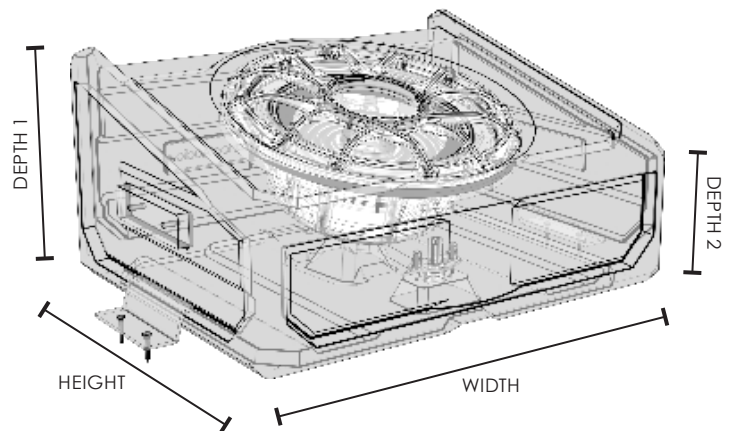
The **ZERO 10 ENC** and **ZERO 12 ENC** is a rugged, sealed, rotomolded subwoofer enclosure, engineered specifically for the ZERO Series® 10" and 12" subwoofers. The ZERO Series Subwoofer Kits deliver long-lasting durability and clean, powerful bass. These kits are shipped unassembled, requiring user assembly to ensure optimal fit and installation flexibility. All ZERO enclosures include the ability to join multiple enclosures together with the included side-insert. Zero Series enclosures are ideal for boats, UTVs, ATVs, or custom installations.

### FEATURES

- Heavy-duty Rotomolded Enclosure
- Versatile Mounting Design
- Quick Connect Wiring Harness
- Structural Support for Subwoofer
- Designed for Joining Multiple Enclosures
- Designed for ZERO 10 or ZERO 12 Subwoofers
- Offered in 2 ohm and 4 ohm

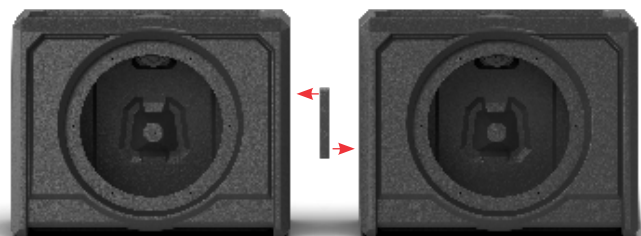
### DIMENSIONS

	ZERO 10 SUB KIT-(S2/S4)	ZERO 12 SUB KIT-(S2/S4)
<b>DIAMETER</b>	10 in.	12 in.
<b>WIDTH</b>	18.00 in.	28.00 in.
<b>HEIGHT</b>	14.00 in.	14.00 in.
<b>DEPTH 1</b>	8.81 in.	8.81 in.
<b>DEPTH 2</b>	5.71 in.	5.71 in.



### PERFORMANCE

	ZERO 10	ZERO 12
<b>POWER RMS/PEAK</b>	300W/600W	400W/800W
<b>FREQUENCY RESPONSE</b>	30Hz - 2kHz	25Hz - 2kHz
<b>SENSITIVITY @ 1W/m</b>	85dB	86dB
<b>IMPEDANCE</b>	2Ω   4Ω	2Ω   4Ω



ZERO 10 SUB KIT shown with the included side insert that allows for joining multiple enclosures.



# SUBWOOFER ENCLOSURES

STEALTH AS-8



STEALTH AS-10

## ACTIVE ENCLOSURES

# STEALTH AS

## ROTOMOLDED SUBWOOFER ENCLOSURES

Tough and durable, the molded polyethylene housings of the **STEALTH AS** Subwoofer enclosures are designed to withstand any harsh environment, while providing superior low-bass output. The built-in Class-D amp is sealed against moisture and dirt intrusion for extra protection against the elements. All STEALTH-AS Subwoofers have been designed with simple connections for plug & play installation. The AS Subwoofer series is the perfect match for Wet Sounds STEALTH XT soundbars, or any other application where you need to add bass.

### FEATURES

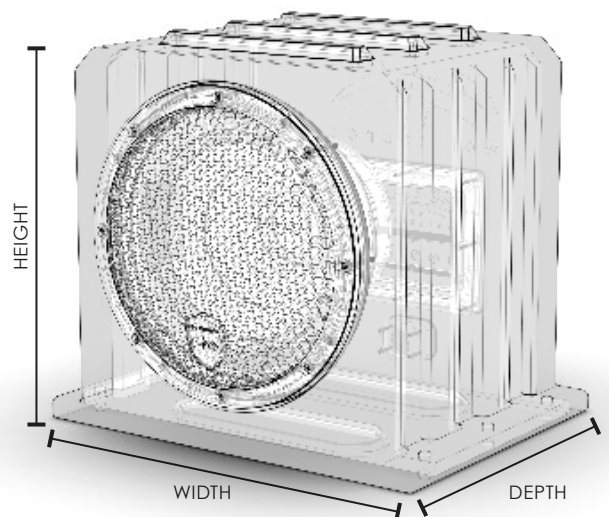
- Thermal & Over/Under Voltage Protection
- Easy Plug & Play Connection with STEALTH XT & ULTRA HD Soundbars
- Remote Level Control Included
- Heavy-duty Rotomolded Enclosure

### DIMENSIONS

	STEALTH AS-8	STEALTH AS-10
WIDTH	11.56 in.	14.72 in.
HEIGHT	10.26 in.	13.35 in.
DEPTH 1	11.85 in.	12.74 in.

### PERFORMANCE

	STEALTH AS-8	STEALTH AS-10
BUILT-IN AMP	350W	500W
FREQUENCY RESPONSE	20Hz - 250Hz	20Hz - 250Hz
VARIABLE LOW PASS Crossover	50Hz - 200Hz	50Hz - 200Hz
VARIABLE BASE BOOST	0-12dB @ 45Hz	0-12dB @ 45Hz
WEIGHT	20.5 lbs.	22.4 lbs.



# TOWER SPEAKERS

By Wet Sounds

FROM THE INVENTORS OF

# TOWER SPEAKERS



# TOWER SPEAKERS



## REVOLUTION HD SERIES

# REV 10 HD | REV 12 HD

INTEGRATED FRONT & REAR RGB LED RINGS

The Wet Sounds **Revolution HD Series** tower speakers set a new benchmark in marine audio performance. It's the industry's first and only 12 inch tower speaker system with RGB LEDs. The **REV 10 HD** and **REV 12 HD** are engineered for uncompromising clarity, power, and durability; these premium tower speakers feature Horn-loaded Compression Drivers (HLCD) optimized for the harshest marine environments.

### FEATURES

- Integrated Front & Rear RGB LED Rings
- Rigid PHGS Composite Cones (Porous Wall Hollow Glass Spheres)
- Thermoformed Santoprene Rubber Surround
- High-output HLCD
- Reinforced Nomex Aramid Spider
- Stainless Steel Hardware
- Available in Black or White Housing

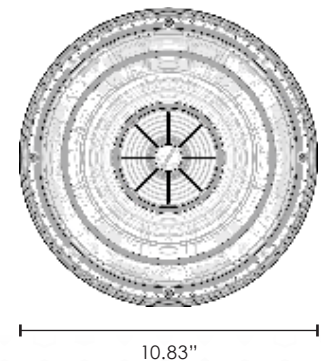
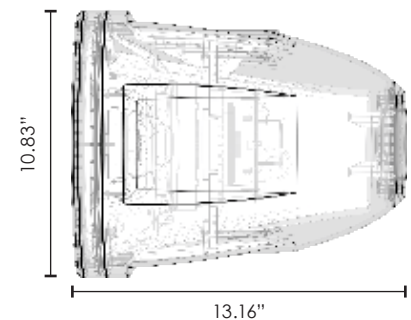
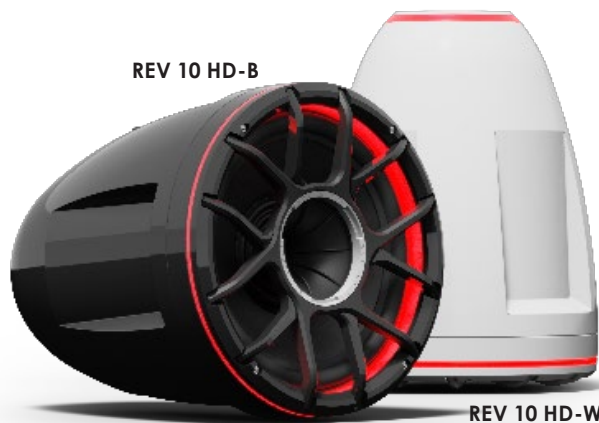
### OPTIONAL FEATURES

- Tower Clamps:
- TC3-S
  - TC3-FC SA
  - TC3-F-SS
  - ADP REV HD-X
  - X-MOUNTS

### DIMENSIONS

	REV 10 HD	REV 12 HD
<b>HANG HEIGHT</b>	12.42 in.	13.36 in.
<b>HANG WEIGHT</b>	14.33 in.	19.84 in.

### REV 10 HD



### PERFORMANCE

	REV 10 HD	REV 12 HD
<b>POWER RMS/PEAK</b>	300W/600W	400W/800W
<b>FREQUENCY RESPONSE</b>	66Hz - 20kHz	58Hz - 20kHz
<b>SENSITIVITY @ 1W/m</b>	91dB	91dB
<b>IMPEDANCE</b>	4Ω	4Ω



## 6 OPTIONAL GRILLE STYLES

Sold Separately



REV 10 HD XZ-B



REV 10 HD XW-B



REV 10 HD XS-B



REV 10 HD XZ-W

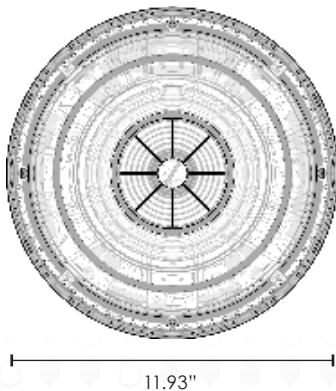
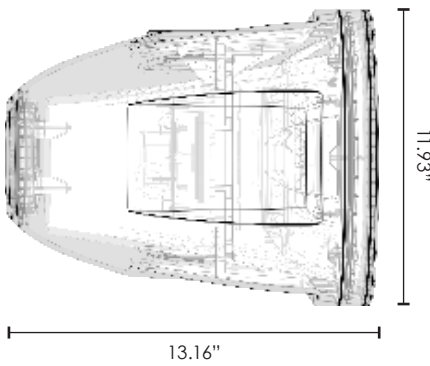


REV 10 HD XW-W

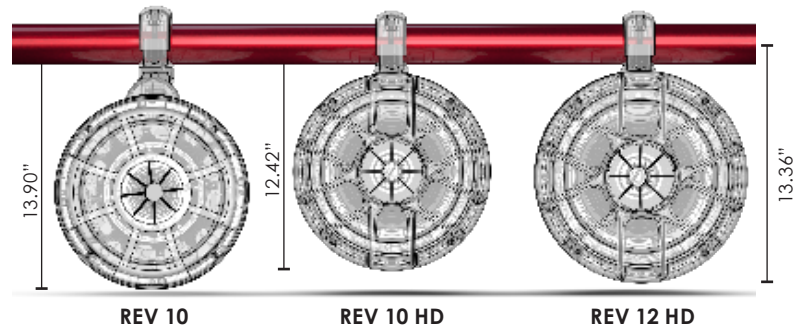


REV 10 HD XS-W

## REV 12 HD



## HANG HEIGHT COMPARISON





# TOWER SPEAKERS



## REVOLUTION SERIES

# REV 8® | REV 10®

UNIQUE MATTE FINISH (SPECIAL EDITION ONLY)

The **Revolution Series** features the **REV 8** and **REV 10** tower speakers, built with Wet Sounds proprietary HLCD technology for powerful, clear sound at long distances. These speakers project music up to 80 feet with excellent detail on and off axis, delivering strong volume and full-range performance.

The REV 8 and REV 10 are available in Gloss White and Gloss Black. The Special Edition models are offered in Matte White and Matte Black. All models are sold in pairs.

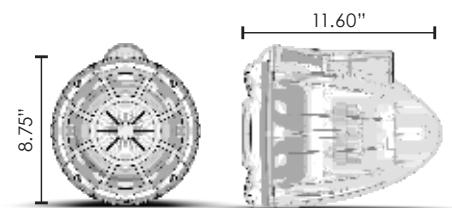
### FEATURES

- Gloss White, Gloss Black, Black Matte Finish & White Matte Finish
- Kevlar® Reinforced EFG Cone Woofers with Polyurethane Surround
- Pro-Axial Driver - Coaxially Mounted Titanium Diaphragm
- High-output Horn Loaded Compression Driver (HLCD)

### DIMENSIONS

	REV 8 & REV 8 SE	REV 10 & REV 10 SE
<b>DIAMETER</b>	8.75 in.	10.60 in.
<b>DEPTH</b>	11.60 in.	13.00 in.
<b>HANG HEIGHT</b>	11.74 in.	13.91 in.
<b>HANG WEIGHT</b>	13 lbs	15 lbs

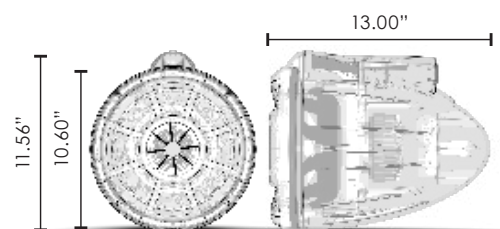
### REV 8 & REV 8 SE



### PERFORMANCE

	REV 8 & REV 8 SE	REV 10 & REV 10 SE
<b>POWER RMS/PEAK</b>	200W/400W	300W/600W
<b>FREQUENCY RESPONSE</b>	80Hz - 20kHz	80Hz - 20kHz
<b>SENSITIVITY @ 1W/m</b>	92dB	92dB
<b>IMPEDANCE</b>	4Ω	4Ω

### REV 10 & REV 10 SE





RCN 8TS-TI RGBW



REDEFINED



RECON® SERIES

# RECON 8TS

RGBW LED LIGHTING INCLUDED

Introducing the all-new **RECON 8 Tower Speaker**, engineered to deliver phenomenal audio performance with powerful, exceptional sound quality while using mid-level power. Thoughtfully engineered for both functionality and visual appeal, the RECON 8TS delivers high performance wrapped in a sleek, modern design featuring RGBW LED lighting.

## FEATURES

- IP65 Rated
- Polypropylene Cone
- Santoprene Surround
- Conex Spider
- 1" PEI Tweeter
- Offered in Dark Titanium and White
- Coaxially Mounted RGBW LED Lighting
- Integrated Outer Ring RGBW LED Lighting
- Rear Illuminated Housing Cap LED Lighting

## PERFORMANCE

	RECON 8TS
POWER RMS/PEAK	150W/300W
FREQUENCY RESPONSE	20Hz - 20kHz
SENSITIVITY @ 1W/m	87.81 dB
IMPEDANCE	4Ω

## DIMENSIONS

- DIAMETER** 8.88 in.
- HANG HEIGHT** 10.67 in.
- HANG WEIGHT** 10 lbs.

**ADP TC4-SA**  
Tower Clamp Sold Separately

Illuminated Rear  
RGBW Housing



RCN 8TS-W RGBW

Coaxially Mounted  
RGBW LED Cone  
Lighting



# TOWER SPEAKERS



## ICON SERIES

# ICON 8 V2

## 8" COAXIAL TOWER MARINE SPEAKERS

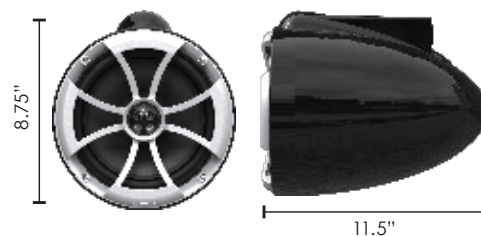
The Wet Sounds **ICON 8 V2** is a compact yet powerful marine tower speaker engineered for customers who demand the best in performance and durability. As our most advanced tower speaker design, the ICON 8 V2 delivers impressive full-range clarity, high output, and a rugged build made for the harshest marine environments. Its refined blend of compact engineering, high-performance audio, and installation versatility makes it the perfect upgrade for boat owners looking to elevate their sound system without sacrificing space or style.

### FEATURES

- Utilizes an 8" Mid-bass Driver
- Grille-mounted 1" Titanium Tweeter
- Available Colors are Gloss White or Gloss Black with UV Inhibitors
- All Stainless Steel Hardware
- Reinforced Composite Enclosure
- Optional Transparent Grilles Sold Separately
- Optional 6-pin Connector Sold Separately

### DIMENSIONS

<b>HEIGHT</b>	8.75 in.
<b>DEPTH</b>	11.50 in.
<b>HANG HEIGHT</b>	11.73 in.
<b>HANG WEIGHT</b>	6.6 lbs



### PERFORMANCE

	ICON 8 V2
<b>POWER RMS/PEAK</b>	150W/300W
<b>FREQUENCY RESPONSE</b>	20Hz - 20kHz
<b>SENSITIVITY @ 1W/m</b>	92dB
<b>IMPEDANCE</b>	4Ω





# MARINE AMPLIFIERS

POWERFUL. RELIABLE. VERSATILE.

Wet Sounds delivers amplifier solutions engineered for the most demanding marine audio builds, offering unmatched power, reliability, and clarity on the water. From the compact **STX Micro Series** to the versatile **HTX**, the high-performance **Sinister Series**, the rugged **Syndicate Series**, and the innovative **HTM** line, Wet Sounds provides purpose-built amplification for every level of marine system design. Known for their durability, thermal efficiency, crystal-clean output, and true marine-grade construction, Wet Sounds amplifiers stand as the choice for mariners who refuse to compromise on sound quality or system longevity, no matter the conditions.

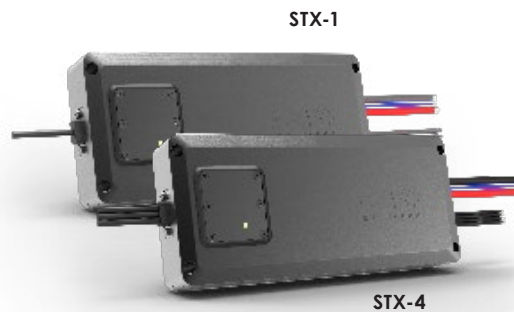
## STX MICRO SERIES

ULTRA-COMPACT AND RUGGED

Built for the powersports enthusiast, the **STX Micro-1** and **Micro-4** amplifiers deliver big performance from an ultra-compact, fully sealed die-cast aluminum chassis designed to resist water, mud, and dirt. Both models feature 3.5 mm signal-input connections, allowing seamless use with Wet Sounds Bluetooth controllers or direct smartphone connection.

### FEATURES

- Compact Chassis Class-D Amplifiers
- Completely Sealed Diecast Aluminum Chassis
- 3.5mm Signal Input Connections to Most Smart Phone's
- Variable High-pass/Low-pass Crossovers
- Multichannel Switching Mode Enables All Four Channels of Output with Only Two Channels of Input



### STX MICRO 1

RMS POWER  
1 x 250W @ 4Ω  
1 x 420W @ 2Ω

RMS BRIDGED  
1 x 600W @ 1Ω

DIMENSIONS (W x D x H in.)  
4.02 x 9.11 x 1.85

### STX MICRO 4

RMS POWER  
4 x 80W @ 4Ω  
4 x 130W @ 2Ω

RMS BRIDGED  
2 x 280W @ 4Ω

DIMENSIONS (W x D x H in.)  
4.02 x 9.11 x 1.85



While Supplies Last

## HTX-2

COMPACT. EFFICIENT. MARINE-READY.

The Wet Sounds **HTX-2** is a compact Class-D 2-channel marine amplifier built for harsh environments with a sealed, saltwater compliant chassis and thermal overload protection. It delivers strong output at 150W x 2 RMS at 4Ω or 600W x 1 bridged, providing clean and efficient power for speakers or a subwoofer.

### FEATURES

- Extreme power output packed inside a small chassis
- Thermal overload protection
- Flexible crossovers and extended inputs
- High-mass heat sink
- Smart microprocessor for great electronic performance

### HTX-2

RMS POWER  
2 x 150W @ 4Ω  
2 x 300W @ 2Ω

RMS BRIDGED  
1 x 600W @ 4Ω

DIMENSIONS (W x D x H in.)  
10.03 x 7.34 x 3.00



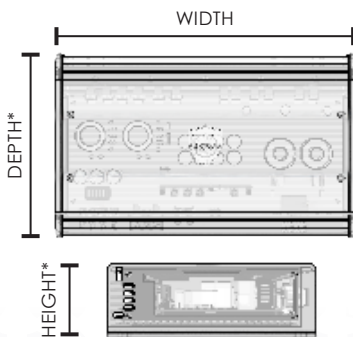
## SINISTER SERIES

ADVANCED MICROPROCESSOR | 4 LAYER PCB

The **Sinister Series** amplifiers are the most powerful marine amplifiers on the market. Utilizing Wet Sounds-exclusive MAXED Class-D power supplies, internal rectifier outputs, and 4-layer printed circuit boards, they deliver uncompromising performance. The result: outstanding sound quality, reduced current draw, less strain on your electrical system, and lower heat generation.

### FEATURES

- Remote Leveler Control
- Removable Speaker Plugs
- High-Level Speaker Input
- Exclusive Class-D Power Supplies
- LED Badging Can Be Mounted Horizontal or Vertical
- Layered PCBs and Advanced Microprocessors for a Smart, Compact Amp



\*Shared Dimensions across All SINISTER SERIES Models



### SINISTER-SDX2

RMS POWER  
2 x 400W @ 4Ω  
2 x 620W @ 2Ω

RMS BRIDGED  
1 x 1250W @ 4Ω

DIMENSIONS (W x D x H in.)  
14.50 x 10.25 x 3.00



### SINISTER-SDX4

RMS POWER  
4 x 185W @ 4Ω  
4 x 340W @ 2Ω

RMS BRIDGED  
2 x 685W @ 4Ω

DIMENSIONS (W x D x H in.)  
14.50 x 10.25 x 3.00



### SINISTER-SDX6

RMS POWER  
6 x 185W @ 4Ω  
6 x 290W @ 2Ω

RMS BRIDGED  
3 x 585W @ 4Ω

DIMENSIONS (W x D x H in.)  
14.50 x 10.25 x 3.00



### SINISTER-SDX2500

RMS POWER  
1 x 1000W @ 4Ω  
1 x 1700W @ 2Ω

RMS BRIDGED  
1 x 2500W @ 1Ω

DIMENSIONS (W x D x H in.)  
22.12 x 10.25 x 3.00



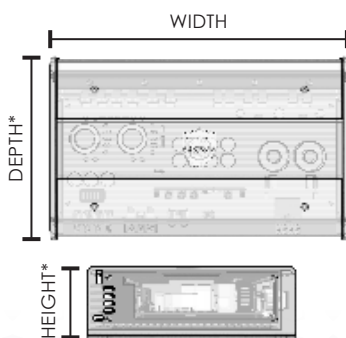
# SYNDICATE SERIES

HIGH OUTPUT | THERMAL PROTECTION

Wet Sounds **SYN-DX Series** Marine Amplifiers deliver powerful, efficient performance in a compact design. Built with advanced Class-D technology, they offer high output, thermal protection, flexible crossovers, and extended inputs, perfectly matched to Wet Sounds products. For premium sound in any marine environment, choose SYN-DX.

## FEATURES

- Class-D Power Supplies
- Marine-grade Construction
- Smart Fan Cooling & Thermal Protection
- Flexible Crossover Options
- Matched Impedance for Wet Sounds Speakers



\*Shared Dimensions across All SYNDICATE SERIES Models



**SYN-DX2**

RMS POWER  
2 x 200W @ 4Ω  
2 x 375W @ 2Ω

RMS BRIDGED  
1 x 750W @ 4Ω

DIMENSIONS (W x D x H in.)  
12.21 x 8.52 x 3.00



**SYN-DX2.3 HP**

RMS POWER  
2 x 300W @ 4Ω  
2 x 600W @ 2Ω

RMS BRIDGED  
1 x 1200W @ 4Ω

DIMENSIONS (W x D x H in.)  
14.75 x 8.52 x 3.00



**SYN-DX4**

RMS POWER  
4 x 125W @ 4Ω  
4 x 200W @ 2Ω

RMS BRIDGED  
2 x 400W @ 4Ω

DIMENSIONS (W x D x H in.)  
10.63 x 8.52 x 3.00



**SYN-DX6**

CHANNEL 1-4	RMS POWER	CHANNEL 5-6	RMS POWER:
	4 x 125W @ 4Ω 4 x 200W @ 2Ω		2 x 150W @ 4Ω 2 x 300W @ 2Ω

CHANNEL 1-4	RMS BRIDGED	CHANNEL 5-6	RMS BRIDGED
	2 x 400W @ 4Ω		1 x 600W @ 4Ω

DIMENSIONS (W x D x H in.)  
14.75 x 8.52 x 3.00

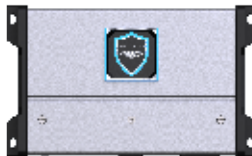


## HTM SERIES FULL RANGE CLASS-D AMPLIFIERS

The Wet Sounds **HTM Series** amplifiers are engineered for uncompromising marine-grade audio. The Wet Sounds HTM amplifiers combine compact, corrosion-resistant Class-D power with rugged reliability. Encased in a sleek, low-profile chassis with IPX5 sealing and conformal-coated components, the HTM Series resists harsh environments and maintains cool operation through advanced thermal protection. All models offer selectable Full / High-Pass / Low-Pass crossovers (50–500 Hz), subsonic filters (10–55 Hz), input sensitivity (0.35–6 Vrms), and efficiency-enhancing Class-D topology.

### FEATURES

- Full Range Audio Capability
- Selectable Crossover: High-pass, Low-pass, and Full Range
- Removable Power and Speaker Connectors
- Reduced Height from Previous HTX Models
- Blue LED Back-lit Badge
- LED Badging can be Mounted Horizontal or Vertical
- Optional Mounting Feet for Raising Amp from Mounting Surface
- Protection Circuitry Guards against Thermal Overload, Short Circuits, DC Offset, and High Voltages



**HTM-1**

RMS POWER:  
1 x 500W @ 4Ω  
1 x 800W @ 2Ω

RMS BRIDGED:  
1 x 1200W @ 1Ω

DIMENSIONS(W x D x H in.):  
9.62 x 5.80 x 2.35



**HTM-4**

RMS POWER:  
4 x 85W @ 4Ω  
4 x 150W @ 2Ω

RMS BRIDGED:  
2 x 300W @ 4Ω

DIMENSIONS(W x D x H in.):  
8.83 x 5.80 x 2.35



**HTM-6**

RMS POWER:  
6 x 85W @ 4Ω  
6 x 150W @ 2Ω

RMS BRIDGED:  
3 x 300W @ 4Ω

DIMENSIONS(W x D x H in.):  
10.80 x 5.80 x 2.35

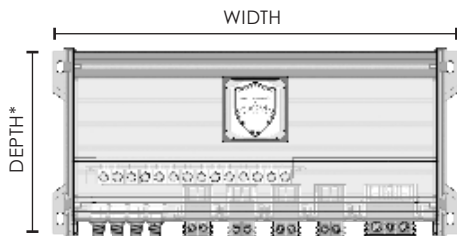


**HTM-8**

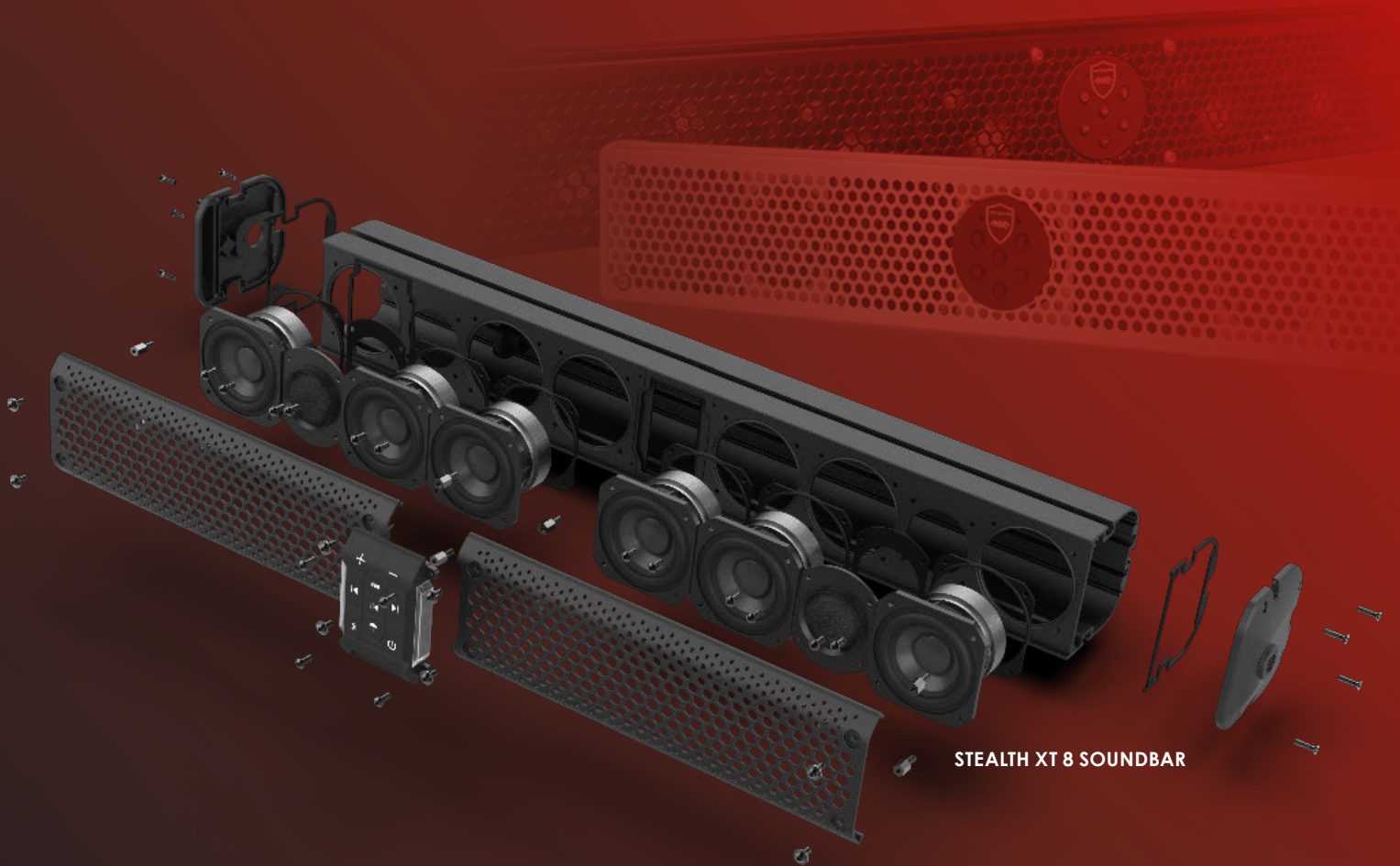
RMS POWER:  
8 x 85W @ 4Ω  
8 x 150W @ 2Ω

RMS BRIDGED:  
4 x 300W @ 4Ω

DIMENSIONS(W x D x H in.): 12.77 x 5.80 x 2.35



\* Shared Dimensions across All HTM SERIES Models



STEALTH XT 8 SOUNDBAR

FROM THE INVENTORS OF THE

# WORLD'S FIRST POWERSPORTS SOUNDBAR



Remote Included

## STEALTH XT SERIES

### AMPLIFIED BLUETOOTH SOUNDBAR WITH REMOTE

Deliver premium marine audio with the **Stealth XT Series** Soundbars, engineered for durability and seamless OEM integration. Powered by a 300W Class-D DSP amplifier and equipped with Bluetooth for multi-zone pairing, installation stays quick and hassle-free with Wet Sounds' patented Fast Track mounting system. RGB accent lighting with 12 color modes and an integrated LED dome light enhance both style and functionality. When paired with the Wet Sounds Active Subwoofer Series, the Stealth AS enclosures adds rich low-end frequencies that complete the onboard audio experience, setting the standard for powerful, full-range sound.

#### FEATURES

- Weatherproof Rated for All Outdoor Marine and Powersports Applications
- Advanced DSP-Controlled Class-D Amplifier Delivering Clear Sound, Improved Mid-bass, and Low-End Bass Response
- Built-in BT Connectivity with Source Control
- Sync Multiple XT Soundbars to Share Audio
- Backlit Control Panel & RGB Accent Lights with 12 Color Modes
- Universal L-Brackets and Spacers with Hardware Included
- Wet Sounds Patented Fast Track Sliding Mount System
- Integrated LED Dome Light
- 3.5" Auxiliary Input for Wired Connection
- 3.5mm Line Output (2V) to Connect an Additional External Amp and Speakers
- IP67 Rated RF Wireless Remote
- Perfect Audio Solution when Paired with Stealth AS Enclosures



Aluminum L-Bracket for End Cap Mounting

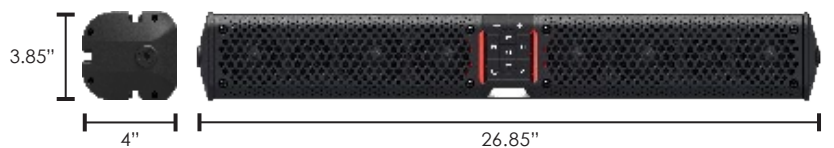
#### STEALTH XT 6

- 4 Marine-rated 3" Full-range Drivers
- 2 Marine-rated 1" Tweeters



#### STEALTH XT 8

- 6 Marine-rated 3" Full-range Drivers
- 2 Marine-rated 1" Tweeters



#### STEALTH XT 12

- 8 Marine-rated 3" Full-range Drivers
- 4 Marine-rated 3/4" Tweeters





FAST-TRACK MOUNTING SYSTEM



STEALTH XT RF WIRELESS REMOTE



Remote Included

The Stealth XT Series includes an RF remote for wireless operation of the amplified soundbar speaker. The wireless RF remote has an operating range of approximately 12 feet. A mounting bracket is included to easily attach the wireless remote to a steering wheel or other round bar.

PERFORMANCE	STEALTH XT 6-B	STEALTH XT 8-B	STEALTH XT 12-B
CLASS-D AMPLIFIER	300W	300W	300W
FREQUENCY RESPONSE	40Hz - 20kHz	40Hz - 20kHz	40Hz - 20kHz
MAX CURRENT DRAW	15 A	15 A	15 A
OPERATING VOLTAGE	12v	12v	12v
WEIGHT	12 lbs.	15.2 lbs.	18.6 lbs.
DIMENSIONS (WxDxH)	21.31 x 4 x 3.85	26.85 x 4 x 3.85	33.74 x 4 x 3.85

UNIVERSAL SOUNDBAR

STEALTH ULTRA HD

The **STEALTH ULTRA HD Series** Soundbars give every owner of a boat, UTV, golf cart, or virtually any other vehicle the ability to add high-performance audio in a simple, easy-to-use design. Built for the great outdoors, the STEALTH ULTRA HD Series Soundbars are designed to be straightforward and convenient audio solutions for your vehicle. The STEALTH ULTRA HD Soundbars deliver true high-performance sound in a 2-wire, 12-volt stealth audio system!



PERFORMANCE	STEALTH-6 ULTRA HD
CLASS-D AMPLIFIER	200W/400W
FREQUENCY RESPONSE	40Hz - 20kHz
MAX CURRENT DRAW	15A
OPERATING VOLTAGE	12V
WEIGHT	12 lbs.
DIMENSIONS (WxDxH)	20.70 x 3.70 x 3.90

SOUNDBAR PATENTS

U.S. Utility Patent No.: US 9,469,254 B1; U.S. Utility Patent No. 8,568,162; U.S. Design Patent No. D757,686; U.S. Design Patent No. D757,687; U.S. Design Patent No. 756,962; U.S. Design Patent No. D756,963; U.S. Design Patent No. 756,963; U.S. Design Patent No. D756,961; U.S. Design Patent No. D756,964;

Additional Patents Pending. For more information on wet sounds' patents, visit [shop.wetsounds.com/patents/](http://shop.wetsounds.com/patents/)



AR-5 AUDIO ROOF

# AR-5 DEFENDER MAX

FOR CAN-AM® DEFENDER MAX

OPTIONAL  
2-CHANNEL AMP

The Wet Sounds **AR-5 Audio Roof** brings powerful, full-sounding performance to the Can-Am Defender MAX with its all-in-one 600W, 5-speaker system. The rugged, factory-fit rotomolded design sets the tone for an outdoor lifestyle while built-in front and rear LED light bars and an LED cabin light keep the adventure going after dark. Installation is quick and easy so you can be trail-ready in about 20 minutes.

## FEATURES

- 4-Channel Amplifier
- WS-MC-2 Media Player
- Front, Rear & Cabin LED Lighting
- Integrated RGB Speaker Lighting
- Optional AR-AMP 2CH Amp for Additional Speakers
- All New 8" High-output Speakers & 12" Subwoofer Featuring the New XZ Style Grille

## AVAILABLE MODELS

- AR-5 Ranger Crew for 2014+ Select Models for Polaris Ranger Crew
- AR-5 Defender MAX 2017+ Can-Am Defender MAX Limited

## AR-5 DEFENDER LIMITED DOOR HINGE KIT

Will Not Fit Limited MAX without the AR-5 Defender Limited Door Hinge Kit.



AR-5 DEF LTD DR HNG



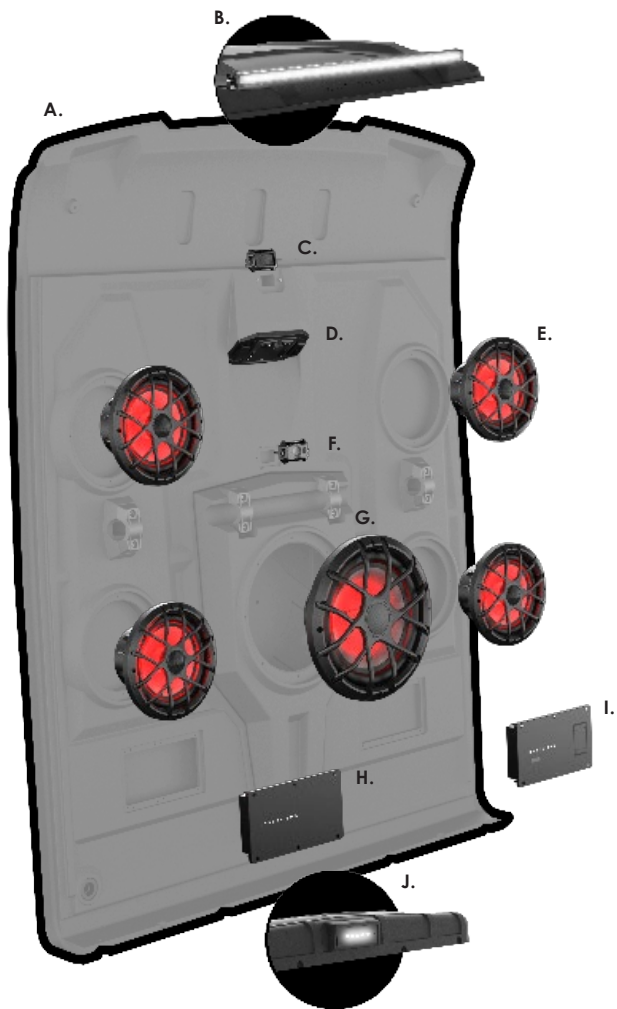


AR-5 AUDIO ROOF

AR-5 RANGER CREW®

FOR SELECT 2014+ POLARIS RANGER CREW

The **AR-5 Ranger Crew Audio Roof** delivers the same aggressive style and high-performance sound for Polaris riders. Its durable rotomolded construction and 600W 5-speaker setup are built for demanding days on the trail, and the integrated LED lighting enhances visibility wherever the ride takes you. With a fast, straightforward installation process, the Ranger Crew version lets you upgrade your machine and get back outdoors with minimal downtime.



AR-5 AUDIO ROOF S

- A. AR-5 Audio Roof Rotomolded Roof
- B. Front Light Bar
- C. On/Off Switch
- D. WS-MC-2 Media Player
- E. 8" Coaxial LED integrated Speakers
- F. Dome Light
- G. 12" LED Integrated Subwoofer
- H. 4-Channel Amplifier
- I. Optional 2-Channel Amplifier
- J. Rear Light

OPTIONAL 2-CHANNEL AMP

Designed for AR Series roofs, this pre-wired audio system works seamlessly with the **AR-AMP 2CH**. Just plug in your amp and pods, and you're ready to ride with great sound.



Optional 2CH Amp Allows for Quick & Simple Installation for Additional Speakers, such as RECON 6 Pods, ICON/REV8



AR-AMP 2CH

FEATURES

- Plug & Play Application for Addition of (1) pair REV8 or ICON 8 Tower Speakers
- 2Ω stable
- 4Ω Bridgeable without VU Meter
- Additional 8-pin Wire Harness Included
- Designed for Quick and Simple Installation
- Constructed to Withstand the Elements





NEW FOR  
**2026**

HARLEY-DAVIDSON®

## MOTORCYCLE AUDIO KITS

FOR 2014 - 2023 HD ROAD GLIDE AND STREET GLIDE MOTORCYCLES

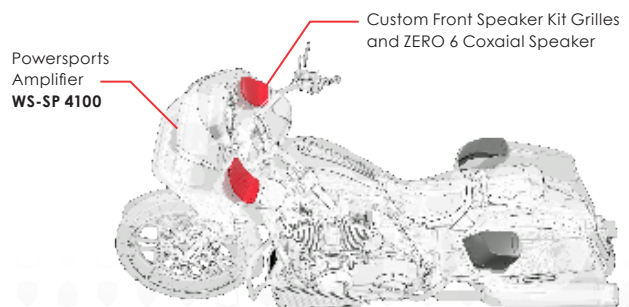
Every Harley rider knows the feeling of rolling into the open road, where the engine settles, the wind rises, and freedom becomes the only destination that matters. For riders who want their music to match the intensity of the ride, Wet Sounds offers a complete lineup of motorcycle audio kits that deliver power, clarity, and durability. These four systems transform your bike into a soundtrack machine built for long miles, loud roads, and the spirit of rebellion that defines every Harley journey. Wet Sounds Motorcycle Audio kits fit select 2024 models: Road Glide Ultra Limited, Street Glide Ultra Limited, Road Glide Trike, and Street Glide Trike.

### FRONT SPEAKER KIT **WS-HAR-FSK**

The **WS-HAR-FSK** Front Speaker Kit lays the foundation for a powerful audio experience that cuts through wind and highway noise with confidence. ZERO Series 6 speakers and the WS-SP 4100 amplifier work together to create clean, strong sound that stays sharp no matter the speed. The included WS-DSP-X processor and app make tuning simple by loading custom profiles for your specific Harley model. It installs quickly, delivers long-lasting performance, and gives your bike the kind of front-end presence that every rider can feel.

#### FEATURES

- **WS-HAR-14-FSK** | Two Pairs (4) ZERO 6 Custom Coaxial Speaker Grilles for Road or Street Glide, Amp Mounting Brackets, and Wiring Harnesses
- **ZERO 6 XZ-B** | (2) Two High-output ZERO Series 6.5" Marine Coaxial Speakers
- **WS-SP 4100** | Powersports 100W4 @4Ω Class-D Full-range Amplifier
- **WS-DSP-X** | Multi-zone Digital Sound Processor with 5-band EQ



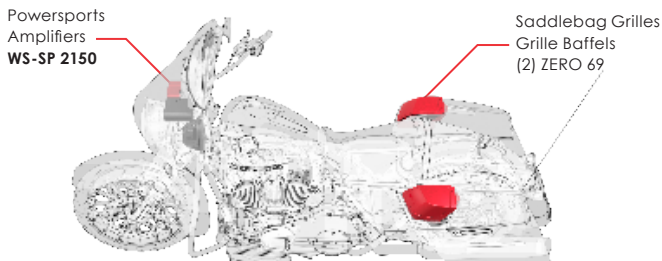


## SADDLEBAG AUDIO KIT WS-HAR-SBK

The **WS-HAR-SBK** Saddlebag Audio Kit brings depth and energy to your ride by adding rich, dynamic sound that flows from behind you. The ZERO 6x9 speakers and dedicated two-channel amplifier create a fuller, more powerful audio environment that enhances every stretch of road. Built with marine-rated construction and bulkhead connectors for easy saddlebag removal, this kit adds long-term durability and practical convenience. With a simple installation process, it gives your Harley a stronger, more emotional sound presence.

### FEATURES

- **WS-HAR 14-SB** | 2014-2023 Harley Saddlebag Grilles, Amp Mounting Brackets, Wire Harnesses
- **ZERO 69 XZ-B** | High Output ZERO Series® 6x9" Marine Coaxial Speakers - Black
- **WS-SP 2150** | Powersports 150X2 @ 4Ω Class-D Full-Range Amplifier
- Grilles and Baffle Cutout Templates Included

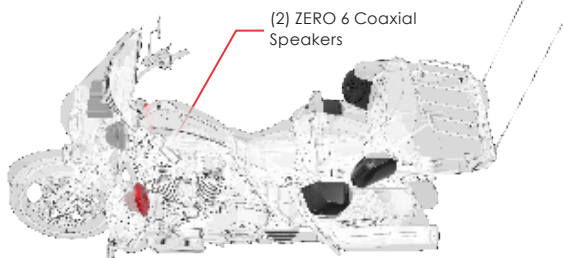


## MOTO GRILLE KIT WS-HAR-MGK

The **WS-HAR-MGK** Moto 6-G Audio Kit brings clarity and brightness to your bike by activating the lower fairings with crisp, detailed sound. The horn-loaded tweeters deliver sharp definition that riders notice as soon as the music starts, even in tough weather or high wind. The grilles fit cleanly into the fairing pods for a factory-like appearance, and installation takes only minutes with basic tools. It is a fast and rewarding upgrade that immediately elevates your audio system.

### FEATURES

- **WS-MOTO 6-G** | Moto Grille Kit for ZERO 6 (Harley Lower Fairing)
- **ZERO 6 XZ-B** | High Output ZERO Series® 6.5" Marine Coaxial Speakers

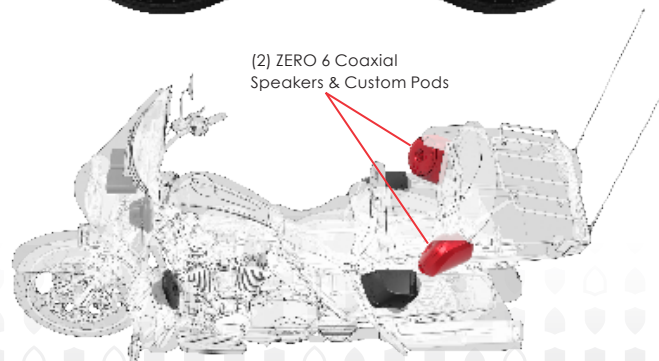


## TOUR-PAK® AUDIO KIT WS-HAR-TPK

The **WS-HAR-TBK** Tour-Pak Audio Kit enhances the experience for the passenger who rides with you by surrounding them with rich, clear audio from the ZERO 6 speakers and horn-loaded tweeters. The fully formed pods are built to handle long miles and harsh conditions while maintaining a polished, integrated look. It installs quickly and works naturally alongside the Front Speaker Kit. This upgrade turns shared rides into more memorable journeys filled with fuller, more immersive sound.

### FEATURES

- **(2) ZERO 6 XZ-B** | High Output ZERO Series® 6.5" Marine Coaxial Speakers
- (2) Two Custom Side Pods
- (2) Two Custom Wet Sounds Moto Grilles
- Included Cutout Templates for Passenger Communication and Audio Controls





JEEP 1400W LEVEL 1 CORE KIT

JEEP-JL-LVL1-C

FOR 2018'-2023' JEEP WRANGLER

Adventures start with good tunes. That's why Wet Sounds developed a fully integrated, pre-packaged solution for the 2018–2023 Jeep Wrangler. The **JEEP-JL-LVL1-C** has been designed and engineered for a factory fit and finish that features a plug-and-play wire harness, installation hardware, and DSP tuned amplifier(s) that will provide you with the best sounding experience possible. Available in 2 stages, a 1,400W core kit to get your Jeep rockin' and an 800W tower kit for a combined 2,200W of power for the ultimate Jeep audio setup.

FEATURES

- IP65 Subwoofer Level Control Knob
- Factory Plug-and-Play Wire Harness
- Mounting Brackets & Installation Hardware
- IP65 Rated 6-Channel Syndicate Amplifier
- Four IP65, Coax. & Component ZERO Series Speakers
- Two 12" ZERO Series Subwoofers
- Custom Rotomold Sub Enclosure

INCLUDED COMPONENTS

Level 1



6x9" ZERO Series® Coaxial Speakers



ZERO Series Tweeters & Trim Bezels



SYN-DX6 DSP

Full Range Class-D 1400 Watt  
6-Channel DSP Amplifier

DIMENSIONS (W x D x H in.)  
14.75 x 8.52 x 3.00



Distribution Block & Mounting Plate



In-Dash ZERO Series 6.5" Component Speaker & Enclosures



Level Control Module for Level 1 Kit



Amp Rack Mounting Plate

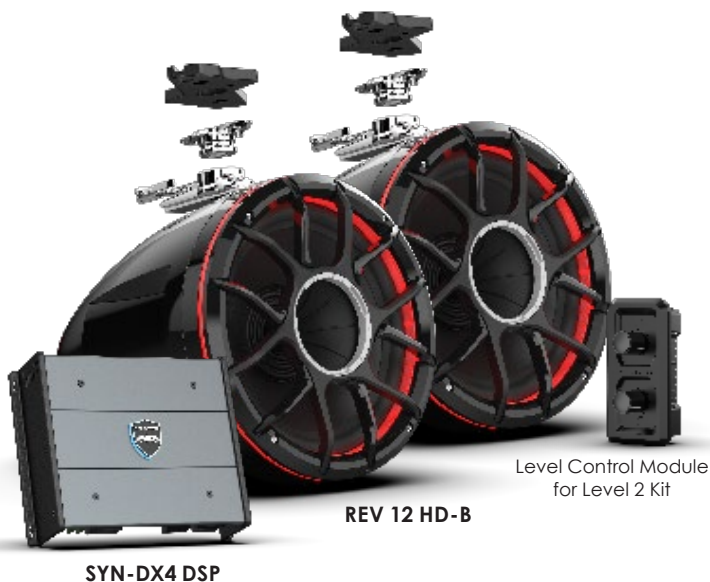


**JEEP 800W LEVEL 2 TOWER KIT**

**JEEP - JL - LVL2 - T**

FOR 2018' -2023' JEEP WRANGLER

Building on the 1,400W JEEP-JL-LVL1-C of the Level 1 kit, the Wet Sounds unleashes an additional 800W of tower speaker power (**JEEP-JL-LVL2-T**) so you can rock the canyons with incredible power and crystal-clear audio that can be heard on the next plateau. Engineered with the same factory-fit integration, plug-and-play simplicity, and DSP-tuned amplification, Stage Two transforms your 2018–2023 Wrangler into the ultimate open-air sound machine. Whether you're carving through red-rock trails or cruising wide-open terrain, this expanded 2,200W system ensures every adventure hits harder, sounds cleaner, and carries farther than ever before.



**SYN-DX4 DSP**

**REV 12 HD-B**

Level Control Module for Level 2 Kit

**FEATURES**

- Installation Hardware
- IP65 Tower Level Control Knob
- Two REV 12 HD Tower Speakers
- Two REV 12 HD Tower Mounts & Adapters
- IP65 Rated 4 Channel Syndicate Amplifier (SYN-DX4800W)

**SYN-DX4**

Full Range Class-D 800 Watt 2-Channel DSP Amplifier

DIMENSIONS (W x D x H in.)  
10.63 x 8.52 x 3.00

**PERFORMANCE**

**REV 12 HD**

<b>POWER RMS/PEAK</b>	400W/800W
<b>FREQUENCY RESPONSE</b>	58Hz - 20kHz
<b>SENSITIVITY @ 1W/m</b>	91 dB
<b>IMPEDANCE</b>	4Ω



**PLUG AND PLAY KIT DESIGNED FOR THE OUTDOORS**

**DESIGNED FOR THE EXPERIENCE, BUILT FOR THE OUTDOORS®**

(2) 12" REV HD HLCD Tower Speakers with Built-in RGB LEDs (Level 2 only)

(2) 6x9" Mounting Rings with Grille Trim Pieces

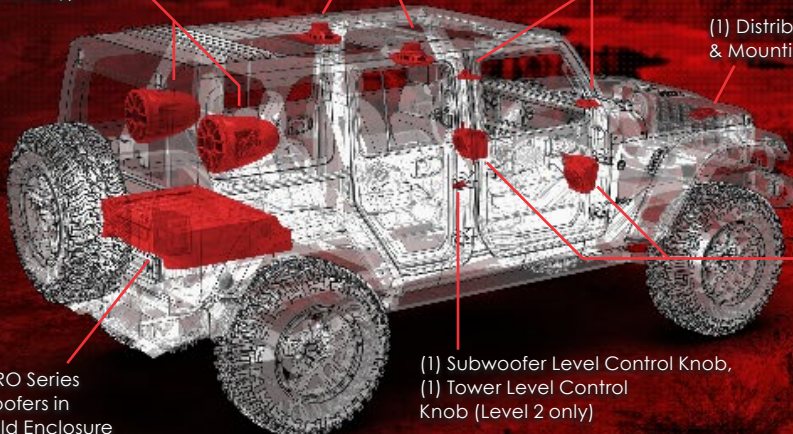
(2) ZERO Series® Tweeters with Trim Pieces

(1) Distribution Block & Mounting Plate

(2) 6.5" ZERO Series Component Speakers

(2) 12" ZERO Series 2Ω Subwoofers in a Rotomold Enclosure

(1) Subwoofer Level Control Knob, (1) Tower Level Control Knob (Level 2 only)



**2,200 watts** **COMBINED** **ULTIMATE POWER**



# OUTDOOR AUDIO

VS-69 PRO-B

VS-12 LS-SUB



VS-LS-ENC

VS-AMPLIFIER SYSTEM-4

## VENUE SERIES

# VS-LS PRO PACKAGE

A COMPLETE OUTDOOR AUDIO EXPERIENCE

\* Items in VS-LS PRO Package Can Be Purchased Separately

Transform your outdoor space into a personal live music venue with the Wet Sounds **Venue Series**, a purpose built lineup engineered to bring concert level audio to your backyard, patio, poolside, or outdoor entertainment area. Every component is designed to withstand the harshest elements while delivering the unmistakable Wet Sounds signature: clear, live, and loud performance.

Venue Series blends high output clarity with rugged reliability, creating a seamless soundscape that makes your backyard feel alive. Whether you're hosting a party, relaxing poolside, or enjoying a quiet evening, the Venue system immerses you in vibrant, dynamic sound that carries beautifully across open air spaces.

## FEATURES

### VS-8 PRO 8" HLCD OUTDOOR SPEAKER

- Adjustable Tap Settings Including 40W, 80W, 120W & 160W
- 4Ω and 70v Adjustable Tap Settings
- Dual Aluminum Passive Radiators

### VS-69 PRO 6" x 9" HLCD OUTDOOR SPEAKER

- Adjustable Tap Settings Including 10W, 20W, 40W, & 80W
- 4Ω and 70v Adjustable Tap Settings
- Single Aluminum Passive Radiators
- Landscape Installation with VS-LS-SP Ground Spike (Sold Separately)

### VS-SMC-65 SHALLOW MOUNT CEILING SPEAKERS

- Shallow Mount Ceiling Speakers
- Composite Mid-bass Driver
- 1" PEI Dome Tweeter

### VS-12 LS-SUB 12" IN-GROUND SUBWOOFER

- High Strength Composite Housing
- Internal 300W 12" Subwoofer Mid-bass Driver
- Designed for In-Ground Use
- Weatherproof Port Cap to Deliver Low-Bass Notes
- Includes Mount for VS-69 PRO

### VS-AMPLIFIER SYSTEM-4

- 110v Power Source
- VS-1200 Amplifier
- Preset Selectable Gain Controls
- Selectable Low Pass Filter
- Weatherproof VS-LS-ENC Enclosure



VS-8 PRO

HLCD Outdoor Speakers  
Available in Black or White  
\* Items Sold Separately



VS-SMC-65\*

Shallow Mount Ceiling Speakers  
\* Items Sold Separately



VS-LS-SP\*

Landscape Ground Spike  
\* Items Sold Separately

## PERFORMANCE

	VS-1200-AMP
POWER RMS @ 2Ω	150W/300W
POWER RMS @ 4Ω	20Hz - 20kHz
FREQUENCY RESPONSE	92dB
LOW PASS FILTER	100Hz
OPERATING VOLTAGE	90VAC - 240V AC
INPUT SENSITIVITY	0.2 - 2V

## PERFORMANCE

	VS-69 PRO	VS-8 PRO	VS-12 LS-SUB	VS-SMC-65
POWER RMS/PEAK	150W/300W	200W/400W	150W/300W	50W/100W
FREQUENCY RESPONSE	20Hz - 20kHz	20Hz - 20kHz	20Hz - 200Hz	55Hz - 20kHz
SENSITIVITY @ 1W/m	92dB	92dB	90dB	88dB
IMPEDANCE	4Ω	4Ω	8Ω	8Ω



WS-ZX-MC-20

STEALTH XT 12

WW-BT RS

STEALTH AS-10

(4) REVO 6 &  
STX-MICRO-4

GOLF CART

# AMP & WIRING HARNESS

EASY, HASSLE-FREE UPGRADE

Golf Cart Audio from Wet Sounds delivers powerful, premium sound that elevates every ride, whether you're cruising the fairway, heading to the next tee, or rolling through the neighborhood. With gear like the **GC-AMP-KIT**, the **GC-H4S**, and our **8-channel Line Driver**, Wet Sounds brings rich, clear audio that cuts through the wind and transforms every drive into an experience. For golfers who treat their cart like essential gear, upgrading to Wet Sounds adds more enjoyment, more style, and a soundtrack worthy of your best shots.

## GOLF CART AMP KIT

The **GC-AMP-KIT** offers a quick, clean way to add the STX Micro-4 amplifier, featuring 10 AWG power and ground wiring with a 60-amp fuse and pre-crimped terminals. Its plug-and-play T-harness connects directly to the WS-MC-2 or WS-ZX-MC-20, with pigtails ready for STX Micro-4 speaker outputs.



## GOLF CART 4-SPEAKER WIRING HARNESS

The **GC-H4S** harness lets you add a four-speaker system to a 4-seat golf cart without running new wiring. It provides plug-and-play connections for REVO and RECON speakers with RGB lighting, plus dedicated power plugs for the Wet Sounds MC-2 and WS-ZX-MC-20 source unit and Stealth AS Series subwoofers.



## 8-CHANNEL LINE DRIVER

The Wet Sounds **WW-8CH-LD** upgrades a basic 2-channel input into eight channels of clean, powerful output. It boosts signal strength to reduce noise and deliver the highest quality audio to your amplifiers. Instead of splitting signals, you can feed them directly into the Line Driver for maximum clarity. The included wired rocker switch remote lets you control two zones instantly.





PORTABLE BT SPEAKER | PRO AUDIO

WS-L

UP TO 40 HOUR PLAY TIME

Introducing the **Wet Sounds Portable Speaker (WS-L)**, the ultimate companion for your outdoor gathering, pool parties, and beach days. Known for delivering in-your-face, powerful, and crystal-clear sound that thrives in marine, powersports, and outdoor environments, Wet Sounds is now making it possible to bring the party wherever you go.

Take your vibes on the move and leave your worries about weather conditions behind with Wet Sounds WS-L IP67 rated enclosure. Designed with our renowned durability and reliability in mind, the Wet Sounds Portable Speaker lets you enjoy your music without any fear of damage or compromise.

FEATURES

- Pro-Grade SKAA® Wireless Audio
- BT Connectivity up to 60 Ft.
- Up to 40 Hour Playtime (Background Listening)
- IP67 Waterproof & Dust Proof Rating
- Rugged & Durable Design
- Integrated LED Lighting
- Portable and Stackable Design
- 10" Subwoofer
- Horn Loaded Tweeter
- (2) 10" Passive Radiators

DIMENSIONS

- WIDTH** 16.00 in.
- HEIGHT** 16.12 in.
- DEPTH** 15.00 in.
- WEIGHT** 25 lbs.

PERFORMANCE

<b>AMPLIFIER</b>	144W
<b>RUN TIME (Normal Listening)</b>	40 Hours
<b>RUN TIME (Full Volume)</b>	9 Hours
<b>CHARGE TIME</b>	3 Hours
<b>WIRELESS RANGE (Max)</b>	50 Meters
<b>WOOFER IMPEDANCE</b>	4Ω
<b>TWEETER IMPEDANCE</b>	6Ω





# PORTABLE ACCESSORIES



## WS-L BATTERY PACK

Portable Battery

### FEATURES

- Removable & Rechargeable Lithium-ion Battery
- Up To 40 Hour Life At Normal Volumes
- Up To 9 Hour Life At High Volumes
- Battery Charge Indicator
- USB-C Out Charging Port
- Can Charge While Playing



## DANI

SKAA Pro® Transmitter

### FEATURES

- SKAA / SKAA Pro Dual-Mode Transmitter
- Send Audio Wirelessly from Pro Audio Gear to SKAA Speakers, SKAA Headphones, and Other SKAA Receivers
- Perfect for Wirelessly Connecting Your DJ Mixer/Deck to Your Main Speakers
- Send Out Wireless Cue Mixes from Your DAW
- Flip a Switch and Dani Works with Consumer Audio Devices



## Cassandra

SKAA USB-C TRANSMITTER

### FEATURES

- SKAA Transmitter for USB Devices with Type-C Connector
- Sends Audio to up to 4 Receivers
- Works with All Apps
- Use up to 5 Transmitters in the Same Area
- No Pairing Required



## Diz

SKAA iOS LIGHTNING TRANSMITTER

### FEATURES

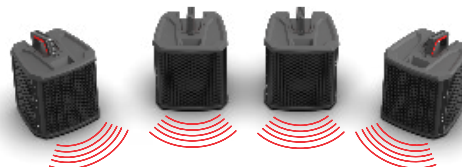
- SKAA Transmitter for Apple Devices with Lightning Connector
- Requires iOS 7 or Newer
- Sends Audio to up to 4 Receivers
- Works with All Apps
- Use up to 5 Transmitters in the Same Area
- No Pairing Required

## MOBILE APPLICATION

### FEATURES



- Available FREE on the Apple Store and Google Play
- Bass and Treble EQ Adjustment
- RGB Lighting Control
- SKAA® Command: Allows you to assign individual speakers stereo, mono, left, or right





58 QUART CAPACITY

# SHIVR®

SHIVR-55-BLU

## BLUETOOTH SOUNDBAR COOLER

Take your outdoor experience to the next level with the Wet Sounds **SHIVR**, the ultimate Bluetooth cooler designed for superior sound and performance. Combining premium audio technology with rugged durability, the 58-quart (55-liter) SHIVR keeps your drinks cold while delivering crystal-clear sound wherever you go. This powerhouse features Bluetooth connectivity, a built-in rechargeable battery, and marine-grade construction for all-weather adventures. Perfect for tailgates, beach days, and backyard parties, the SHIVR is more than a cooler, it's your portable entertainment hub.

### FEATURES

- Built-in Bluetooth
- Auxiliary Input/Output
- AC Charger Included & 2 Volt Charger
- Double-wall Insulation
- Stealth 6-Speaker System with DSP
- Lockable Lid
- Capacity: 55 Liters/58 Quarts
- Built-in Lithium Ion Battery Pack (Up to 8 Hours of Play Time)
- Rope Carry Handles and Rubber Latches
- IP65 Rated

### AVAILABLE COLORS

Colors shown are for reference only. Actual colors may vary due to printing limitations.

#### BATTLESHIP GRAY



SHIVR-55-GRY

#### WHITE



SHIVR-55-WHT

#### STEALTH BLACK



SHIVR-55-BLK

#### SEAFOAM GREEN



SHIVR-55-SFM

#### DESERT TAN



SHIVR-55-TAN

#### BLUE



SHIVR-55-BLU

### CONNECTIVITY

The **SHIVR** Supports Multiple Connection Interfaces:

- Bluetooth wireless
- 3.5 mm Auxiliary Input
- A-Link Plus Digital Interconnect Sold Separately

### PERFORMANCE

	SHIVR-55
AMPLIFIER	200W
FREQUENCY RESPONSE	40Hz - 20kHz
WEIGHT	40 lbs.
OPERATING VOLTAGE	12v
DIMENSIONS (L x W x H)	30" x 18.5" x 18.5"





# SHIVR-55 COOLER SKINZ

5 FOAM-TRACTION KIT COLORS

Protect your SHIVR-55 with **SHIVR SKINZ** foam-traction kits. Our SHIVR SKINZ by SeaDek® are offered in 5 different color options for you to customize your SHIVR cooler. There's a look for every personality. The latest addition, "Snow Over Black," brings a striking, modern aesthetic that stands out in any setting.



SHIVR 55 FULL KIT  
SNOW OVER BLACK



SHIVR 55 FULL KIT  
GRAY OVER BLACK

## SHIVR COOLER SKINZ COLOR OPTIONS

5 COLOR COMBINATIONS

GRAY/BLACK



SHIVR 55 FULL KIT  
GRAY OVER BLACK

BLACK/GRAY



SHIVR 55 FULL KIT  
BLACK OVER GRAY

WHISKEY/BLACK



SHIVR 55 FULL KIT  
WHISKEY OVER BLACK

BLACK/WHISKEY

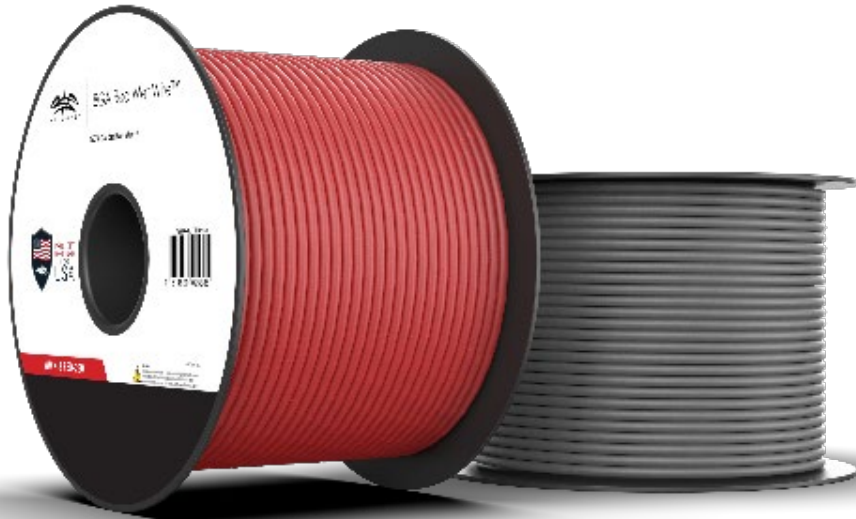


SHIVR 55 FULL KIT  
BLACK OVER WHISKEY

SNOW/BLACK



SHIVR 55 FULL KIT  
SNOW OVER BLK



See more at [wetsounds.com](http://wetsounds.com)

## SPOOLED WIRE

Wet Sounds **WET WIRE Spools** are engineered specifically for the marine environment, delivering uncompromising signal integrity and long-lasting durability. Constructed with premium, marine-rated materials, these spools provide exceptional conductivity and corrosion resistance to ensure clear, reliable audio performance on the water. Designed for OEM applications, WET WIRE simplifies installation while maintaining the highest standards of quality, making it the ideal choice for powering and connecting marine audio systems with confidence.



**WWX-3PRM-150**  
150 FT SPOOL 18 GAUGE



**WW-RGB 22G-150**  
150 FT SPOOL 22 GAUGE RGB



**WWX-8G BLK-250**  
250 FT SPOOL 8 GAUGE AMP



**WWX-4G BLK-125**  
125 FT SPOOL 4 GAUGE AMP



**WWX-SPKR/RGB COMBO-150**  
150 FT SPOOL 6 CONDUCTOR



**WWX-8G RED-250**  
250 FT SPOOL 8 GAUGE AMP



**WWX-1/0G BLK-50**  
50 FT SPOOL 1/0 GAUGE AMP



**WWX-4G RED-125**  
125 FT SPOOL 4 GAUGE AMP



**WWX-1/0G RED-50**  
50 FT SPOOL 1/0 GAUGE AMP



**WWX-SPK 12G-250**  
250 FT SPOOL 12 GAUGE SPEAKER

## FEATURES

- Spooled Frosted Bulk Wire
- 50ft - 500ft Spools
- True AWG Gauge Amp Wire

## POWER | GROUND

- |                |                |
|----------------|----------------|
| WWX-1/0 RED-50 | WWX-1/0 BLK-50 |
| WWX-4G RED-125 | WWX-4G BLK-125 |
| WWX-8G RED-250 | WWX-8G BLK-250 |

## SPEAKER WIRE

- |                 |                 |
|-----------------|-----------------|
| WWX-SPK 12G-250 | WWX-SPK 14G-250 |
|-----------------|-----------------|

## COMBO | RGB WIRE

- |                        |              |
|------------------------|--------------|
| WWX-RGB 22G-150        | WWX-3PRM-150 |
| WWX-SPKR/RGB Combo-150 |              |



**RCA CABLES**

See more at [wetsounds.com](http://wetsounds.com)

WET WIRE **RCA Cables** are engineered for the harsh marine environment, delivering uncompromising signal integrity and durability. Featuring quad-shielded construction for maximum noise rejection, over-molded jackets for superior protection against moisture and corrosion, and numbered channel designations for easy identification during installation, these cables ensure clean, reliable audio performance and simplified OEM integration on the water.

**FEATURES**

- 2 or 6 Channel Quad Shielded
- High Contact RCA Tips
- Over Molded Jackets
- Individual Numbered Channels

**RCA CABLES AVAILABLE**

- |                   |                  |
|-------------------|------------------|
| WWX-RCA-2CH 1.5FT | WWX-RCA-6CH 5FT  |
| WWX-RCA-2CH 12FT  | WWX-RCA-6CH 12FT |
| WWX-RCA-2CH 5FT   | WWX-RCA-6CH 17FT |
| WWX-RCA-2CH 17FT  | WWX-RCA-6CH 23F  |
| WWX-RCA-2CH 23FT  |                  |

**SPLIT/ADAPTER CABLES AVAILABLE**

- |                   |                |
|-------------------|----------------|
| WWX-RCA M-2F Y    | WWX-RCA F-2M Y |
| WWX-RCA-3.5mm 2FT |                |



**RCA-6CH 23FT**  
23 FT 6 CHANNEL RCA CABLE



**WWX-RCA-3.5MM 2FT**  
RCA TO 3.5MM - 2 FEET

**WWX-RCA F-2M Y**  
RCA Y ADAPTER FEMALE TO MALE



## USB SIGNAL CABLES

See more at [wetsounds.com](http://wetsounds.com)

Wet Sounds **WET WIRE USB Signal Cables** are engineered for high-performance data transfer in harsh marine environments. Designed with durability and precision in mind, these cables ensure seamless integration between audio systems, control units, and external devices, making them the ideal choice for OEM marine manufacturers.

### FEATURES

- Marine-grade Construction to Withstand Saltwater, UV Exposure & Extreme Temperatures
- High-speed Data Transfer
- Corrosion-resistant Materials
- Flexible Routing
- Enhanced Reliability



**WWX-USB-FM 6FT**



**WW-3.5 AUX**



**ST-DC-OEM**  
OEM SOURCE UNIT ADAPTER



**WWX-POL-RC-ADAP**  
POLARIS RIDE COMMAND ADAPTER



**WWX-ANTW**

## FUSE DISTRIBUTION BLOCKS

Engineered for the harsh marine environment, the Wet Sounds **Fuse Distribution Block** features nickel-plated brass construction for superior current transfer and exceptional corrosion resistance. Designed for OEM efficiency, it offers two heavy-duty inputs supporting 1/0 gauge wiring (or 4 gauge with included reducers) and four outputs for 4 or 8 gauge wiring, ensuring flexible system design. For safe, reliable power distribution, the block accommodates two ANL fuses or up to four mini-ANL fuses, protecting your amplifiers while maintaining consistent performance.



**WWX-ANL FUSE HOLDER**



**WWX-FUSE DIST BLOCK**



**ANL 200 FUSE**

**ATC 8G FUSE**

### FEATURES

- Enhanced Body Styling
- Versatility to Use in Many Applications
- Wire Fastening Points
- Adjustable Badge Orientation

### FEATURES

- 2-inputs Supporting 1/0 Gauge Wiring, or 4 Gauge with Included Reducers
- 4-Outputs to Support 4 or 8 Gauge Wiring
- Two ANL Fuses or up to 4 Mini-ANL Fuses (Fuses Not Included)

### FEATURES

- Marine Rated Battery Fuse Block
- Uses Ignition Proof MRBF Fuses



**MRBF** - Marine Rated Battery Fuse

- ABYC C1500 Certified



**WS-MRBF-4**



Set the mood with RGB lighting from Wet Sounds. Find just what you need with a selection of RGB LED rings, Translucent Grilles, RGB Controllers, and Speaker Suits to transform your evening outings on the water or the trails.

## LED RING KITS



LED RING KITS AVAILABLE FOR:  
 REV/ICON 8    ZERO 6/8  
 REV 10/410    ZERO 10/12 SUBS  
 REVO/RECON 6/8  
 REVO 10/12 SUBS



## SPEAKER SUITZ

Durable Neoprene covers for Wet Sounds REV/ICON Series tower speakers. Zippered closure, convenient carrying handles, and white silk-screened logo on the front. Speaker Suits offer protection during travel or storage.

AVAILABLE FOR:  
**ICON8**  
**REV8®/REV10®**  
**REV 10 HD/REV 12 HD**



## RGB CONTROLLERS



RF-RGB-MC V2



WX-RGB-RS



WS-4Z-RGB KIT

## TRANSLUCENT GRILLES

AVAILABLE FOR:  
**REV8®**  
**REV10®**  
**REV 410**





# TOWER CLAMPS

The perfect clamps for your Wet Sounds products. Available in Fixed, Swivel, and X-Mount models. All clamp options are available on [wetsounds.com](http://wetsounds.com).



**TC3-F-Silver** Aluminum Clamp  
• Compatible with REV8®, REV10®, REV HD, REV SE, & ICON8



**TC3-S- SXM** Stainless Steel Swivel  
• Surface Mount (No Clamp)  
• Compatible with REV8, REV10 and ICON8



**TC3-F** Fixed Stainless Steel Clamp  
• Specifically for Tube Diameter 1 7/8" to 3"  
• Compatible with REV, REV HD & ICON



**TC3-S** Stainless Steel Fixed Bracket Mount  
• Specifically for Tube Diameter 1 7/8" to 3"  
• Compatible with REV, REV HD, REV SE, & ICON



**REV HD X-MOUNTS**  
**ADP REV HD X-W | ADP REV HD X-B**  
• Compatible with REV 10/12 HD  
• Offered in White or Black



**REV X-MOUNTS**  
**ADP REV X-B**  
• Surface Mount  
• Fits any V2 REV or ICON

**NEW FOR 2026**



**ADP TC4-SA** Satin Aluminum Finish  
• Specifically for Tube Diameter 1 7/8" to 3"  
• 360 Swivel Capability  
• Stainless Steel Hardware  
• Compatible with 2026 RECON

**CLAMP PATENT**

U.S. Utility Patent No. 8,568,162;  
[wetsounds.com/patents](http://wetsounds.com/patents)

## **UPGRADE EVERY ADVENTURE**

When you're ready to take your ride to the next level, you need audio gear that delivers on the water, on the trail, on the course, and everywhere in between. Wet Sounds builds high-performance sound systems engineered for boaters, riders, and outdoor enthusiasts who demand more from their experience.

From marine to powersports to golf carts, our products are crafted to thrive in the real world, resisting the elements, pushing serious power, and delivering crystal-clear audio no matter where the journey takes you. Whether you're carving through waves, tearing up the trails, cruising the neighborhood, or setting the mood outdoors, Wet Sounds transforms every moment into something unforgettable.

This isn't just an upgrade. It's a new way to enjoy your lifestyle, built on performance, durability, and sound that stands out.

**Wet Sounds. Your Adventure, Amplified.**



w e t s o u n d s<sup>®</sup>

CLEAR. LOUD. LIVE.

**Website:** [wetsounds.com](http://wetsounds.com)

**Phone:** 877.938.7757

**Email:** [info@wetsounds.com](mailto:info@wetsounds.com)

**Find Us On:** [f](#) [@](#) [v](#) [d](#)

© 2026 Wet Sounds, Inc. All Rights Reserved. WET SOUNDS and associated logos where applicable are registered trademarks of Wet Sounds Corporation in the United States and/or other countries. All other trademarks are the property of their respective owners. Product information may change without notice. Please visit [wetsounds.com](http://wetsounds.com) for the most recent product information and complete tech specs. For technical questions, email [info@wetsounds.com](mailto:info@wetsounds.com) or call 877-938-7757.



**WARNING:**  
Cancer and Reproductive Harm  
[www.P65Warnings.ca.gov](http://www.P65Warnings.ca.gov)

04/03/2026